

# Elabo. Assembly Systems



euromicron group



Modular system  
for production and assembly

ergonomic ■ functional ■ modular

# 5 important reasons for choosing complete solutions by Elabo



1

## We think things through to the end

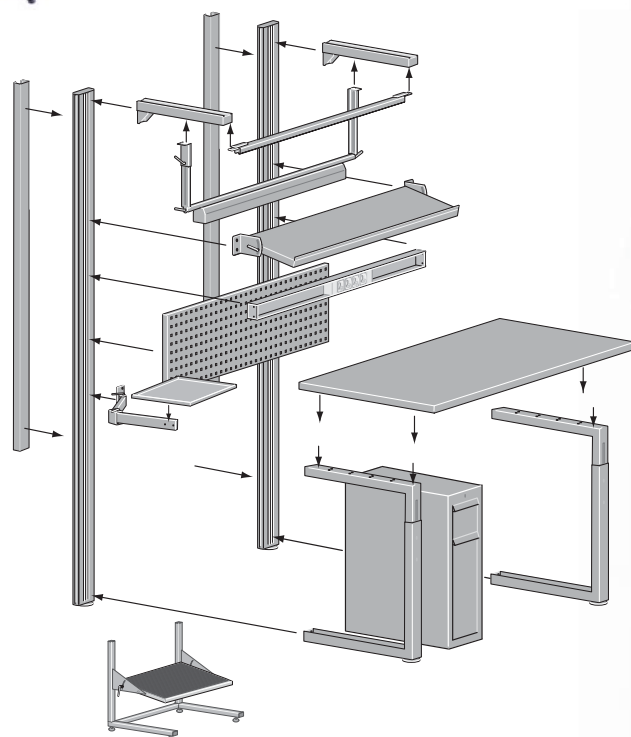
The Elabo planning service is exactly what you need when designing professional, functional production flows. We analyse your working steps right up to the finished product and then generate a convincing, coherent realisation concept with short route times and high productivity. By the way; this service is provided to you free of charge.



2

## Always at the cutting edge

Elabo systems are designed for evolution; they change to fit the requirements and tasks you set the system. Even if the requirements and intended purposes are completely redefined, TaMas (work stations) and TaMo (mobile systems) stand out due to their uncomplicated adaptability as conversion and extension-capable organisms for the modern world of work.



3

## Optimum investment security

Elabo has represented "Quality in detail" since 1972. From profile columns through tabletops right up to high quality electrical devices or compressed air connections: Our 35 employees delegated for development tasks only make use of the best materials and the most robust solutions so that your application can be used for many years with success. In addition, almost unlimited extension possibilities ensure that you are able to change and supplement your system repeatedly for optimum handling of your tasks.



4

## Optimised ergonomics

Relaxed posture at the work stations. This is not a luxury, but rather reality for people working at and with Elabo assembly systems on which the installations above the tabletop also "move", allowing handling spaces to be adapted perfectly to requirements. This increases concentration capabilities and promotes good health amongst employees. A win-win situation for the company and the employees.



5

## Professional electronics and electrotechnology

Obtain integrated power supply systems, measuring and testing equipment and other electrical and electronic devices from specialists. Maximum reliability, safety mechanisms for protection of the user and durable quality, firmly fixed and safely stored, make the Elabo work station or also the Elabo production and assembly line a real plus for your department. Of course, we are happy to give you detailed advice so that you receive the best possible solution.





# Individual work stations and linked production lines



■ We design and plan your production with you, coordinate the project, offer you as your central partner the procurement of almost all components from one source, organise the assembly and the installation of the devices and then hand over your new turnkey solution.



**TaMo**

■ Electrics and electronics with maximum power in the smallest space: Elabo have been realising this principle successfully in industrial companies in all sectors since 1972. The required components and devices are inserted as modules into a strip or aluminium channel and fixed. In this way your work station can be equipped in the most efficient possible way with all the electrical and electronic functions you might require, and this equipment can always be kept to hand.

■ Elabo provides two own product ranges for production and manufacturing. Both of these, TaMas and TaMo, have been generated from comprehensive user experience and are used internally at the Elabo concern. The conceptual design of both the "standing tables" (TaMas) and the mobile systems (TaMo) are modular systems which are able to integrate different components; also devices and accessories from other companies which have the right dimensions can easily be adapted.



**TaMas Lift**

also available with high-performance electromotive elevation adjustment.

# Testing technology and conveyor systems

■ Elabo is the provider with whom you can avoid unknown interfaces and therefore cycle time losses. You will receive from us unequalled integrated testing technology which, through prior individual testing, makes complex dismantling and repair work superfluous. In addition, transport to a separate test station is no longer necessary.



■ We also design conveyor systems and different components such as roller conveyors, lifting stations, chain conveyors or vertical conveyors so that they do not represent "foreign objects", but can be integrated consistently into the overall design.

## Project Management

**The best advice from the start.**

■ Whenever a planning challenge is pending: we are there to assist you. Due to our almost four decades of supervision and realisation of projects in this industry, we know what is important. We provide you with professional complete solutions from one source and do everything to optimise your production flow - which also relieves strain on your employees – in an expedient and well thought-out manner. We continue to provide you with assistance subsequent to your purchase and support you during running operations, for example with our device service.





# References

**ABM** Greiffenberger Antriebstechnik GmbH

**SIEMENS** AG

**SMA** Regelsysteme GmbH

**ELGEBÄ** Gerätebau GmbH

**SAMSON** AG

**PFALZWERKE**

**STENGEL** Apparatebau GmbH

**MASO** Prozeß Pumpen GmbH

**MBS** GmbH

**MAP** GmbH

**SIEMENS** AG, A&D LD

**FEUERWEHR** Nürnberg

**SUSPA** Holding GmbH –  
GB Automotive & Industrie

**DEPRAG** Schluz GmbH & Co.

**E-T-A** GmbH

**TRENCH** Germany GmbH

**BOSCH** Rexroth Elec. Drives & Control GmbH

**ALSTOM** Power Conversion GmbH

**LIEBHERR** Elektronik GmbH

**TELEMOTIVE** AG

**TRILUX** GmbH & Co. KG –  
Lichttech. Spezialfabrik









**Elabo GmbH**  
**euromicron Group**  
**Roßfelder Straße 56**  
**D-74564 Crailsheim**  
**Tel. (+49)7951/307-0**  
**Fax (+49)7951/307-66**  
**info@elabo.de**  
**www.elabo.de**

The Elabo GmbH.  
Highly flexible solutions.  
Efficient and economic.

Elabo is the partner for companies and institutions which produce or install electrical and electronics products and components, or use them for quality assurance. Elabo can develop modular and customer-tailored, highly-flexible and extremely economic systems especially for you.

The range of services comprises the design and fitting of professional rooms - for example electrical laboratories - as well as individual engineering and the construction of complex quality assurance facilities.

Elabo's efficiency is based on comprehensive know-how in electrotechnology and electronics, in mechanics and ergonomics, in process management and in logistics as well as in well-founded knowledge of occupational protection regulations and technical standards. Elabo is a hardware-manufacturing knowledge and service provider which focuses its services on the specific requirements of the respective customer - and which mainly produces inhouse. Elabo has the capabilities and the production facilities for high quality realisation of the concepts.

Elabo, founded in 1972 has approximately 150 employees and is the European leader in its market.

### **Elabo EducationSystems**

Desks, racks with power supply systems and also measurement and testing equipment, cabinets and chairs: Elabo offers complete specialist rooms for electrotechnology, mechatronics, IT and related fields.



### **Elabo LaboratorySystems**

Elabo is used not only in research and development but also in prototype construction. From pneumatic measuring equipment and ESD desks to software for archiving measurement results.



### **Elabo AssemblySystems**

Profile system with extremely sturdy stands, cross-beams and roller conveyors: Elabo produces work stations for manual and partially automated production. Also available with integrated testing systems.



### **Elabo ProcessControlSystems**

In computer centres, safety control centres or in energy supply - whether you require panels with operating elements or large-scale display systems, Elabo plans and implements rooms for process monitoring.



### **Elabo TestSystems**

Measuring. Testing. Automation. Elabo designs customised testing situations for its customers. From high-voltage testing devices to highly sophisticated testing systems with interchangeable adapters.



### **Elabo WorkshopSystems**

From the workbench to the documentation testing station: Elabo designs the tasks required for modern maintenance, from the simple desk to software for storing measurement values.

