



### Tabletop

Tabletop 30 mm thick, coated with laminate, selection of 3 different front edges:

- Postformed edge, 70 mm high
- Edge band, 3 mm thick
- FlexiLine edge, replaceable.

Permitted surface load on the tabletop: 200 kg

### Cable flap and cable tray

The rear part of the tabletop is hinged, with a longitudinal brush strip for cable routing and for installing cable registers. Below this there is a large-volume steel plate tray for cables, multiple socket outlets, plug adaptors etc.

### Table frame

Sturdy, circumferential rectangular pipe frame as the base frame, with a central stringer and all holes for table leg and base cabinet installation.

### Table legs

Table legs made of aluminium extruded profile with 8 continuous grooves; two separate cable chambers on the inside for installation purposes.

Integrated height adjuster to allow for floor unevenness.

The front table legs can be recessed to give you more legroom without requiring any additional fittings (corner combinations, longitudinal rows of tables).

The rear table legs are covered with removable functional plastic caps. Various types of swivel adaptors for all supplied lamps, swivel arms etc. can be mounted in the base profile prepared for this purpose.

The rear table legs can also be extended to any height later on, thanks to a patented fastening technique which is invisible from the outside.

(Patent number 4214520).

### Accessories

Table base holders or also socket sets for the cable trays in the chapter Table Accessories.

### Advantages:

- Permanently versatile also for future activities thanks to InForm Open Space Technology
- The rear table legs are prepared for incorporation of swivel adaptors and system profile extensions
- Double cable chambers in the InForm system profile for installation purposes
- Front table legs can be recessed without additional fittings
- Several tabletop front edges to choose from
- Large-volume steel plate cable duct, open at the side, optionally available with caps on the side

Would you like a different table height than our standard of 750 mm? Then please select the table variant which you would like to have and include on your order "ZH height in mm". Example: 70-1G ZUZH80 for standard tables with a table height of 800 mm. Please note that other heights may only be available at additional charges.



### System table

With lowerable flap and cable tray

Tabletop with 70-mm postformed edge at front



### Technical data

Tabletop, coated with HPL laminate, 30 mm thick.  
Effective depth of cable tray 195 mm.  
Robust FE pipe frame running under tabletop perimeter.  
Table legs made of multi-groove extruded aluminium profile, with two separate cable chambers inside.  
The front table legs can be recessed to provide more legroom.  
Height: 750 mm

For the ESD design, please also order module 01-4Z (connection possibility for grounding wrist strap)

WidthDepth	Standard	ESD
2000 x 800	70-1G ZU	70-4G ZU
1800 x 800	70-1A ZU	70-4A ZU
1600 x 800	70-1D ZU	70-4D ZU
1500 x 800	70-1B ZU	70-4B ZU
1200 x 800	70-1C ZU	70-4C ZU
2000 x 900	70-3G ZU	70-9G ZU
1800 x 900	70-3A ZU	70-9A ZU
1600 x 900	70-3D ZU	70-9D ZU
1500 x 900	70-3B ZU	70-9B ZU
1200 x 900	70-3C ZU	70-9C ZU
2000 x 1000	70-2G ZU	70-5G ZU
1800 x 1000	70-2A ZU	70-5A ZU
1600 x 1000	70-2D ZU	70-5D ZU
1500 x 1000	70-2B ZU	70-5B ZU
1200 x 1000	70-2C ZU	70-5C ZU

### System table

With lowerable flap and cable tray

Tabletop with 3-mm edge strip all round



### Technical data

Tabletop, coated with HPL laminate, 30 mm thick.  
Effective depth of cable tray 195 mm.  
Robust FE pipe frame running under tabletop perimeter.  
Table legs made of multi-groove extruded aluminium profile, with two separate cable chambers inside.  
The front table legs can be recessed to provide more legroom.  
Height: 750 mm

For the ESD design, please also order module 01-4Z (connection possibility for grounding wrist strap)

WidthDepth	Standard	ESD
2000 x 850	70-1G ZSU	70-4G ZSU
1800 x 850	70-1A ZSU	70-4A ZSU
1600 x 850	70-1D ZSU	70-4D ZSU
1500 x 850	70-1B ZSU	70-4B ZSU
1200 x 850	70-1C ZSU	70-4C ZSU
2000 x 950	70-3G ZSU	70-9G ZSU
1800 x 950	70-3A ZSU	70-9A ZSU
1600 x 950	70-3D ZSU	70-9D ZSU
1500 x 950	70-3B ZSU	70-9B ZSU
1200 x 950	70-3C ZSU	70-9C ZSU
2000 x 1050	70-2G ZSU	70-5G ZSU
1800 x 1050	70-2A ZSU	70-5A ZSU
1600 x 1050	70-2D ZSU	70-5D ZSU
1500 x 1050	70-2B ZSU	70-5B ZSU
1200 x 1050	70-2C ZSU	70-5C ZSU

### System table

With lowerable flap and cable tray

Tabletop with FlexiLine edge at front



### Technical data

Tabletop, coated with HPL laminate, 30 mm thick.  
Effective depth of cable tray 195 mm.  
Robust FE pipe frame running under tabletop perimeter.  
Table legs made of multi-groove extruded aluminium profile, with two separate cable chambers inside.  
The front table legs can be recessed to provide more legroom.  
Height: 750 mm

Replacement table edge FlexiLine in Chapter Table Accessories.

For ESD design, please also order 01-4Z.

WidthDepth	Standard	ESD
2000 x 850	70-1G ZFU	70-4G ZFU
1800 x 850	70-1A ZFU	70-4A ZFU
1600 x 850	70-1D ZFU	70-4D ZFU
1500 x 850	70-1B ZFU	70-4B ZFU
1200 x 850	70-1C ZFU	70-4C ZFU
2000 x 950	70-3G ZFU	70-9G ZFU
1800 x 950	70-3A ZFU	70-9A ZFU
1600 x 950	70-3D ZFU	70-9D ZFU
1500 x 950	70-3B ZFU	70-9B ZFU
1200 x 950	70-3C ZFU	70-9C ZFU
2000 x 1050	70-2G ZFU	70-5G ZFU
1800 x 1050	70-2A ZFU	70-5A ZFU
1600 x 1050	70-2D ZFU	70-5D ZFU
1500 x 1050	70-2B ZFU	70-5B ZFU
1200 x 1050	70-2C ZFU	70-5C ZFU

Dimensions in mm

**Carrier profiles**

The aluminium table legs are attached in pairs to a sturdy aluminium carrier profile. The front and rear are covered with an attractively shaped plastic part and equipped with adjustable metal levelling plates.

**Open-Space technology**

All InForm table rack components can also be used with the Open-Space technology typical in aluminium system columns.

**Roller container**

In order to realise the full benefits of the C-foot bench, we recommend that you use roller containers.

**Cable duct**

Large cable duct used to hold cables, socket strips and power supply units.

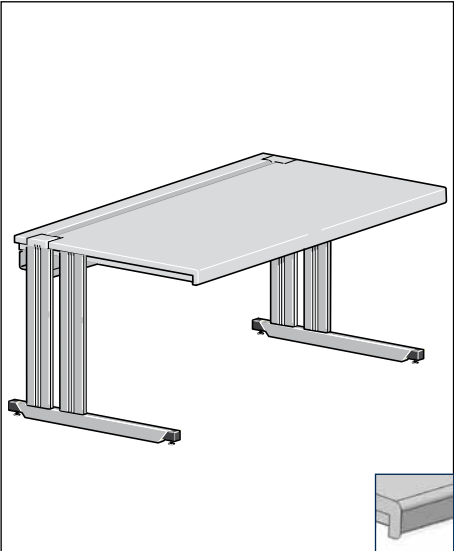
**Cable flap**

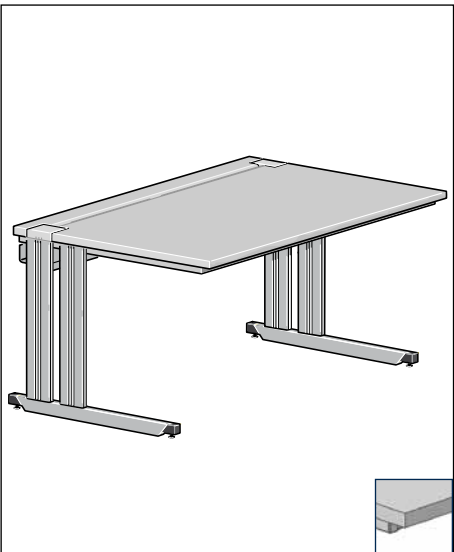
Hinged cable tray cover with double sealing lip for cable – no more loops over the rear table edge.

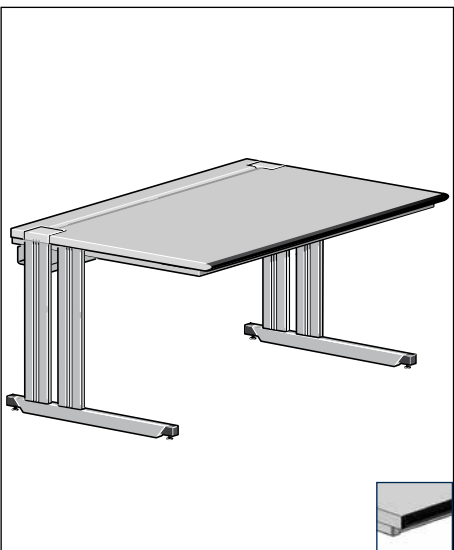
**Max. load capacity 200 kg.**

Would you like a different table height than our standard of 750 mm? Then please select the table variant which you would like to have and include on your order "ZH height in mm". Example: 70-1G ZUZH80 for standard tables with a table height of 800 mm. Please note that other heights may only be available at additional charges.

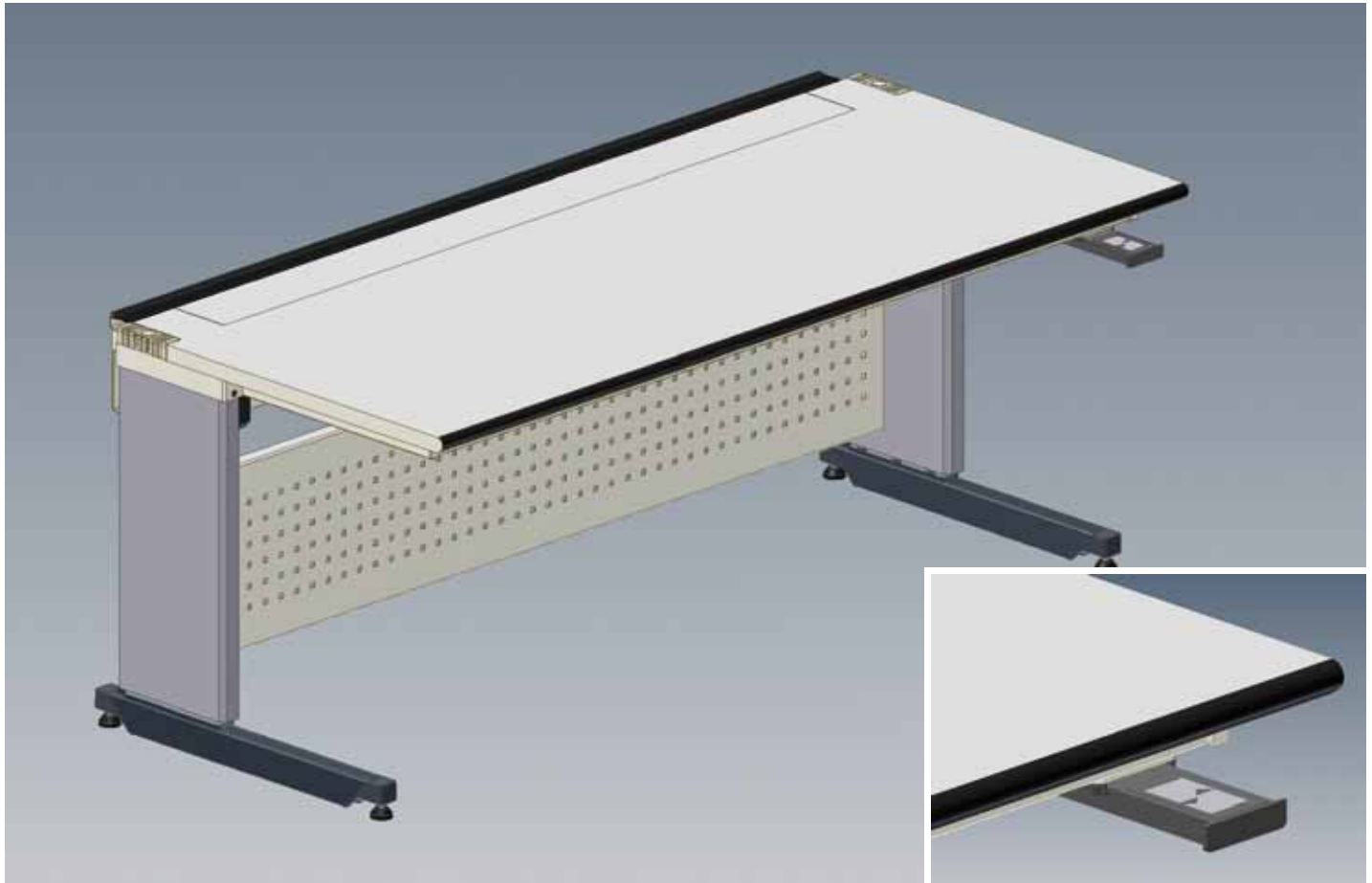


C-foot system table	Technical data	Width	Depth	Standard	ESD	
Height 750 mm  Tabletop 70 mm postformed edge at front		C-foot table frame consists of				
		1 steel pipe table frame		2000 x 800	70-1G ZC1	70-4G ZC1
		4 aluminium table legs		1800 x 800	70-1A ZC1	70-4A ZC1
		2 aluminium feet		1600 x 800	70-1D ZC1	70-4D ZC1
		1 tabletop, laminate-coated, with hinged cable-tray cover		1500 x 800	70-1B ZC1	70-4B ZC1
		1 cable tray		1200 x 800	70-1C ZC1	70-4C ZC1
		130 x 100 (DxH)		2000 x 900	70-3G ZC1	70-9G ZC1
				1800 x 900	70-3A ZC1	70-9A ZC1
				1600 x 900	70-3D ZC1	70-9D ZC1
				1500 x 900	70-3B ZC1	70-9B ZC1
				1200 x 900	70-3C ZC1	70-9C ZC1
				2000 x 1000	70-2G ZC1	70-5G ZC1
		1800 x 1000	70-2A ZC1	70-5A ZC1		
		1600 x 1000	70-2D ZC1	70-5D ZC1		
		1500 x 1000	70-2B ZC1	70-5B ZC1		
		1200 x 1000	70-2C ZC1	70-5C ZC1		

C-foot system table	Technical data	Width	Depth	Standard	ESD	
Height 750 mm  Tabletop With 3-mm edge strip all round		C-foot table frame consists of				
		1 steel pipe table frame		2000 x 850	70-1G ZC1S	70-4G ZC1S
		4 aluminium table legs		1800 x 850	70-1A ZC1S	70-4A ZC1S
		2 aluminium feet		1600 x 850	70-1D ZC1S	70-4D ZC1S
		1 tabletop, laminate-coated, with hinged cable-tray cover		1500 x 850	70-1B ZC1S	70-4B ZC1S
		1 cable tray		1200 x 850	70-1C ZC1S	70-4C ZC1S
		130 x 100 (DxH)		2000 x 950	70-3G ZC1S	70-9G ZC1S
				1800 x 950	70-3A ZC1S	70-9A ZC1S
				1600 x 950	70-3D ZC1S	70-9D ZC1S
				1500 x 950	70-3B ZC1S	70-9B ZC1S
				1200 x 950	70-3C ZC1S	70-9C ZC1S
				2000 x 1050	70-2G ZC1S	70-5G ZC1S
		1800 x 1050	70-2A ZC1S	70-5A ZC1S		
		1600 x 1050	70-2D ZC1S	70-5D ZC1S		
		1500 x 1050	70-2B ZC1S	70-5B ZC1S		
		1200 x 1050	70-2C ZC1S	70-5C ZC1S		

C-foot system table	Technical data	Width	Depth	Standard	ESD	
Height 750 mm  Tabletop With replaceable FlexiLine edge at front		C-foot table frame consists of				
		1 steel pipe table frame		2000 x 850	70-1G ZC1F	70-4G ZC1F
		4 aluminium table legs		1800 x 850	70-1A ZC1F	70-4A ZC1F
		2 aluminium feet		1600 x 850	70-1D ZC1F	70-4D ZC1F
		1 tabletop, laminate-coated, with hinged cable-tray cover, with ergonomically-shaped, replaceable black table edge at front.		1500 x 850	70-1B ZC1F	70-4B ZC1F
		1 cable tray		1200 x 850	70-1C ZC1F	70-4C ZC1F
		130 x 100 (DxH)		2000 x 950	70-3G ZC1F	70-9G ZC1F
				1800 x 950	70-3A ZC1F	70-9A ZC1F
				1600 x 950	70-3D ZC1F	70-9D ZC1F
				1500 x 950	70-3B ZC1F	70-9B ZC1F
				1200 x 950	70-3C ZC1F	70-9C ZC1F
				2000 x 1050	70-2G ZC1F	70-5G ZC1F
		1800 x 1050	70-2A ZC1F	70-5A ZC1F		
		1600 x 1050	70-2D ZC1F	70-5D ZC1F		
		1500 x 1050	70-2B ZC1F	70-5B ZC1F		
		1200 x 1050	70-2C ZC1F	70-5C ZC1F		

Dimensions in mm



### Up/down button

The height of Elabo-InForm system work surfaces can be adjusted via an electric motor using the integrated up/down button.

### Lifting elements

The electric motor lifting elements ensure rapid height adjustment.

### Racks

The height of mounted table rack elements are adjusted along with the table. The InForm profile allows direct cable routing from the rack into the cable tray.

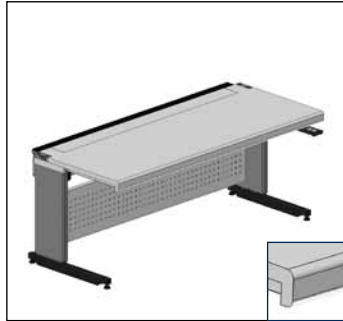
### Advantages

- Table height adjustment from 740 to 1135 mm. Max. load capacity 150 kg.
- Permanently versatile for future activities using the InForm Open Space technology
- Choice of 3 different, visually appealing tabletop front edges:  
70 mm postformed  
3 mm edge strip  
30 mm-FlexiLine edge, replaceable
- Fully welded steel pipe frame
- Large-volume steel plate cable duct

- Prepared to hold swivel adaptors and vertical profiles with adaptors at the left and right-hand sides

Height-adjustable C-foot system table

Tabletop with 70 mm postformed edge at front



Technical data	Width Depth	Standard
Continuously height-adjustable C-foot table frame (740 mm to 1135 mm) via electric motor, consisting of 1 steel pipe table frame 2 electromotive aluminium lifting columns 1 Up-Down button 2 aluminium feet 1 tabletop, laminate-coated, with lowerable cable-tray cover at rear 1 cable tray 130 x 100 (DxH)	2000 x 800	70-1G ZC3-1Q
	1800 x 800	70-1A ZC3-1Q
	1600 x 800	70-1D ZC3-1Q
	1500 x 800	70-1B ZC3-1Q
	1200 x 800	70-1C ZC3-1Q
	2000 x 900	70-3G ZC3-1Q
	1800 x 900	70-3A ZC3-1Q
	1600 x 900	70-3D ZC3-1Q
	1500 x 900	70-3B ZC3-1Q
	1200 x 900	70-3C ZC3-1Q
	2000 x 1000	70-2G ZC3-1Q
	1800 x 1000	70-2A ZC3-1Q
	1600 x 1000	70-2D ZC3-1Q
	1500 x 1000	70-2B ZC3-1Q
	1200 x 1000	70-2C ZC3-1Q

Height-adjustable C-foot system table

Tabletop with 3 mm edge strip all round



Technical data	Width Depth	Standard
Continuously height-adjustable C-foot table frame (740 mm to 1135 mm) via electric motor, consisting of 1 steel pipe table frame 2 electromotive aluminium lifting columns 1 Up-Down button 2 aluminium feet 1 tabletop, laminate-coated, with lowerable cable-tray cover at rear 1 cable tray 130 x 100 (DxH)	2000 x 850	70-1G ZC3-1SQ
	1800 x 850	70-1A ZC3-1SQ
	1600 x 850	70-1D ZC3-1SQ
	1500 x 850	70-1B ZC3-1SQ
	1200 x 850	70-1C ZC3-1SQ
	2000 x 950	70-3G ZC3-1SQ
	1800 x 950	70-3A ZC3-1SQ
	1600 x 950	70-3D ZC3-1SQ
	1500 x 950	70-3B ZC3-1SQ
	1200 x 950	70-3C ZC3-1SQ
	2000 x 1050	70-2G ZC3-1SQ
	1800 x 1050	70-2A ZC3-1SQ
	1600 x 1050	70-2D ZC3-1SQ
	1500 x 1050	70-2B ZC3-1SQ
	1200 x 1050	70-2C ZC3-1SQ

Height-adjustable C-foot system table

Tabletop with FlexiLine edge at front

Replacement table edge FlexiLine in Chapter Table Accessories.



Technical data	Width Depth	Standard
Continuously height-adjustable C-foot table frame (740 mm to 1135 mm) via electric motor, consisting of 1 steel pipe table frame 2 electromotive aluminium lifting columns 1 Up-Down button 2 aluminium feet 1 tabletop, laminate-coated, with lowerable cable-tray cover at rear 1 cable tray 130 x 100 (DxH)	2000 x 850	70-1GZC3-1FQ
	1800 x 850	70-1AZC3-1FQ
	1600 x 850	70-1DZC3-1FQ
	1500 x 850	70-1BZC3-1FQ
	1200 x 850	70-1CZC3-1FQ
	2000 x 950	70-3GZC3-1FQ
	1800 x 950	70-3AZC3-1FQ
	1600 x 950	70-3DZC3-1FQ
	1500 x 950	70-3BZC3-1FQ
	1200 x 950	70-3CZC3-1FQ
	2000 x 1050	70-2GZC3-1FQ
	1800 x 1050	70-2AZC3-1FQ
	1600 x 1050	70-2DZC3-1FQ
	1500 x 1050	70-2BZC3-1FQ
	1200 x 1050	70-2CZC3-1FQ



Note:  
The height-adjustable (electrically powered) C-foot system tables are also available in a conductive ESD variant according to IEC 61340-5-1 for Electrostatic Protected Areas (EPA).

Dimensions in mm