

**Matching design corner panels**

Corner panels in the same quality as the tabletops allow you to create corner or U-shaped combinations. At the front, the corner panels have a tabletop front edge; at the rear they have a diagonal steel plate cable duct. Complete with all required fastening fittings.

**Length deviations**

Important for accurate spatial planning: on table corner combinations (90° angle), the length increases by 40 mm or 425 mm in both directions because of the front post-formed edge.



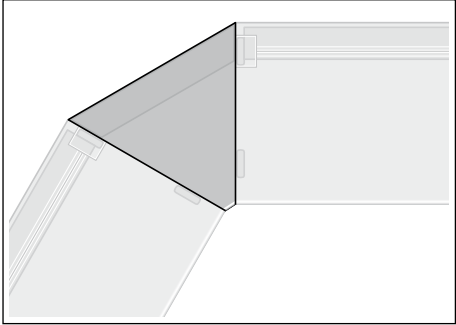
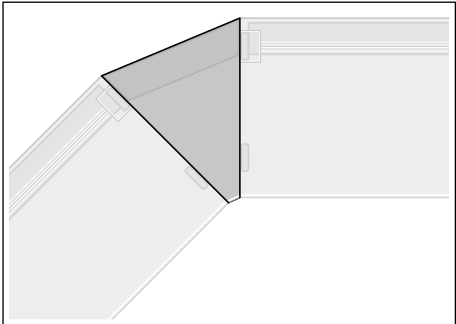
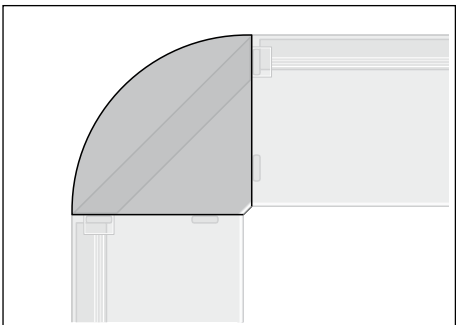
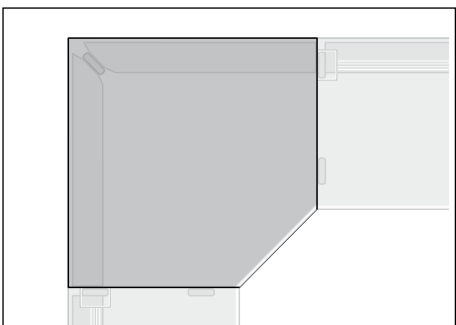
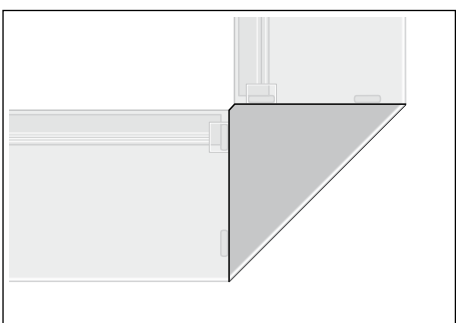
<p>Corner panel 90°</p> <p>Square</p> <p>Inc. supporting foot</p> <p>Outer side length + 40 mm each side</p>		<p>Technical data</p> <p>70 mm postformed edge at front</p> <p>at front with 3 mm edge strip</p> <p>Front with FlexiLine edge, replaceable</p>	<p>Width Depth</p> <p>800 x 800</p> <p>900 x 900</p> <p>1000 x 1000</p> <p>850 x 850</p> <p>950 x 950</p> <p>1050 x 1050</p> <p>850 x 850</p> <p>950 x 950</p> <p>1050 x 1050</p>	<p>Standard</p> <p>70-1K ZU</p> <p>70-3K ZU</p> <p>70-2K ZU</p> <p>70-1K ZSU</p> <p>70-3K ZSU</p> <p>70-2K ZSU</p> <p>70-1K ZFU</p> <p>70-3K ZFU</p> <p>70-2K ZFU</p>	<p>ESD</p> <p>70-4K ZU</p> <p>70-9K ZU</p> <p>70-5K ZU</p> <p>70-4K ZSU</p> <p>70-9K ZSU</p> <p>70-5K ZSU</p> <p>70-4K ZFU</p> <p>70-9K ZFU</p> <p>70-5K ZFU</p>
--	--	--	---	---	--

<p>Corner panel 90°</p> <p>Trapezoidal</p> <p>Outer side length + 40 mm each side</p> <p>Dimensions identical to corner racks, corner shelves and corner functional shelves</p>		<p>Technical data</p> <p>70 mm postformed edge at front</p> <p>at front with 3 mm edge strip</p> <p>With FlexiLine edge at front, replaceable</p>	<p>Width Depth</p> <p>800 x 800</p> <p>900 x 900</p> <p>1000 x 1000</p> <p>850 x 850</p> <p>950 x 950</p> <p>1050 x 1050</p> <p>850 x 850</p> <p>950 x 950</p> <p>1050 x 1050</p>	<p>Standard</p> <p>70-1L ZU</p> <p>70-3L ZU</p> <p>70-2L ZU</p> <p>70-1L ZSU</p> <p>70-3L ZSU</p> <p>70-2L ZSU</p> <p>70-1L ZFU</p> <p>70-3L ZFU</p> <p>70-2L ZFU</p>	<p>ESD</p> <p>70-4L ZU</p> <p>70-9L ZU</p> <p>70-5L ZU</p> <p>70-4L ZSU</p> <p>70-9L ZSU</p> <p>70-5L ZSU</p> <p>70-4L ZFU</p> <p>70-9L ZFU</p> <p>70-5L ZFU</p>
---	--	---	---	---	--

<p>Corner panel 90°</p> <p>Triangle</p> <p>Outer side length + 40 mm each side</p>		<p>Technical data</p> <p>70 mm postformed edge at front</p> <p>at front with 3 mm edge strip</p> <p>With FlexiLine edge at front, replaceable</p>	<p>Width Depth</p> <p>800 x 800</p> <p>900 x 900</p> <p>1000 x 1000</p> <p>850 x 850</p> <p>950 x 950</p> <p>1050 x 1050</p> <p>850 x 850</p> <p>950 x 950</p> <p>1050 x 1050</p>	<p>Standard</p> <p>70-1M ZU</p> <p>70-3M ZU</p> <p>70-2M ZU</p> <p>70-1M ZSU</p> <p>70-3M ZSU</p> <p>70-2M ZSU</p> <p>70-1M ZFU</p> <p>70-3M ZFU</p> <p>70-2M ZFU</p>	<p>ESD</p> <p>70-4M ZU</p> <p>70-9M ZU</p> <p>70-5M ZU</p> <p>70-4M ZSU</p> <p>70-9M ZSU</p> <p>70-5M ZSU</p> <p>70-4M ZFU</p> <p>70-9M ZFU</p> <p>70-5M ZFU</p>
--	--	---	---	---	--

Dimensions in mm



Corner panel 60°	Technical data	Width Depth	Standard	ESD
	70 mm postformed edge at front	800 x 800 900 x 900 1000 x 1000	70-1N ZU 70-3N ZU 70-2N ZU	70-4N ZU 70-9N ZU 70-5N ZU
	At front with 3 mm edge strip	850 x 850 950 x 950 1050 x 1050	70-1N ZSU 70-3N ZSU 70-2N ZSU	70-4N ZSU 70-9N ZSU 70-5N ZSU
	With FlexiLine edge at front, replaceable	850 x 850 950 x 950 1050 x 1050	70-1N ZFU 70-3N ZFU 70-2N ZFU	70-4N ZFU 70-9N ZFU 70-5N ZFU
Corner panel 45°	Technical data	Width Depth	Standard	ESD
	70 mm postformed edge at front	800 x 800 900 x 900 1000 x 1000	70-1P ZU 70-3P ZU 70-2P ZU	70-4P ZU 70-9P ZU 70-5P ZU
	At front with 3 mm edge strip	850 x 850 950 x 950 1050 x 1050	70-1P ZSU 70-3P ZSU 70-2P ZSU	70-4P ZSU 70-9P ZSU 70-5P ZSU
	With FlexiLine edge at front, replaceable	850 x 850 950 x 950 1050 x 1050	70-1P ZFU 70-3P ZFU 70-2P ZFU	70-4P ZFU 70-9P ZFU 70-5P ZFU
Corner panel 90° Quarter circle	Technical data	Width Depth	Standard	ESD
	70 mm postformed edge at front	800 x 800 900 x 900 1000 x 1000	70-1Q ZU 70-3Q ZU 70-2Q ZU	70-4Q ZU 70-9Q ZU 70-5Q ZU
	At front with 3 mm edge strip	850 x 850 950 x 950 1050 x 1050	70-1Q ZSU 70-3Q ZSU 70-2Q ZSU	70-4Q ZSU 70-9Q ZSU 70-5Q ZSU
	With FlexiLine edge at front, replaceable	850 x 850 950 x 950 1050 x 1050	70-1Q ZFU 70-3Q ZFU 70-2Q ZFU	70-4Q ZFU 70-9Q ZFU 70-5Q ZFU
CAD corner panel 90° Front edge 600 mm Inc. supporting foot Outer side length + 425 mm each side	Technical data	Width Depth	Standard	ESD
	70 mm postformed edge at front	800 x 800 900 x 900 1000 x 1000	70-1R ZU 70-3R ZU 70-2R ZU	70-4R ZU 70-9R ZU 70-5R ZU
	At front with 3 mm edge strip	850 x 850 950 x 950 1050 x 1050	70-1R ZSU 70-3R ZSU 70-2R ZSU	70-4R ZSU 70-9R ZSU 70-5R ZSU
	With FlexiLine edge at front, replaceable	850 x 850 950 x 950 1050 x 1050	70-1R ZFU 70-3R ZFU 70-2R ZFU	70-4R ZFU 70-9R ZFU 70-5R ZFU
Outer corner panel 90°	Technical data	Width Depth	Standard	ESD
	70 mm postformed edge at front	800 x 800 900 x 900 1000 x 1000	70-1S 70-3S 70-2S	70-4S 70-9S 70-5S
	At front with 3 mm edge strip	850 x 850 950 x 950 1050 x 1050	70-1S ZS 70-3S ZS 70-2S ZS	70-4S ZS 70-9S ZS 70-5S ZS
	With FlexiLine edge at front, replaceable	850 x 850 950 x 950 1050 x 1050	70-1S ZF 70-3S ZF 70-2S ZF	70-4S ZF 70-9S ZF 70-5S ZF

Dimensions in mm



<p>Corner panel 90°</p> <p>Rectangular</p> <p>Inc. supporting foot</p> <p>Outer side length +40 mm at each side</p>		<p>Technical data</p> <p>70 mm postformed edge at front</p>	<p>Width Depth</p> <p>800 x 900</p> <p>800 x 1000</p> <p>900 x 1000</p>	<p>Standard</p> <p>70-6C ZU</p> <p>70-6A ZU</p> <p>70-6F ZU</p>	<p>ESD</p> <p>71-9C ZU</p> <p>71-9A ZU</p> <p>71-9F ZU</p>
		<p>At front with 3 mm edge strip</p> <p>Front with FlexiLine edge, replaceable</p>	<p>850 x 950</p> <p>850 x 1050</p> <p>950 x 1050</p>	<p>70-6C ZSU</p> <p>70-6A ZSU</p> <p>70-6F ZSU</p>	<p>71-9C ZSU</p> <p>71-9A ZSU</p> <p>71-9F ZSU</p>
		<p>850 x 950</p> <p>850 x 1050</p> <p>950 x 1050</p>	<p>70-6C ZFU</p> <p>70-6A ZFU</p> <p>70-6F ZFU</p>	<p>71-9C ZFU</p> <p>71-9A ZFU</p> <p>71-9F ZFU</p>	

<p>Corner panel 90°</p> <p>Rectangular</p> <p>Inc. supporting foot</p> <p>Outer side length + 40 mm at each side</p>		<p>Technical data</p> <p>70 mm postformed edge at front</p>	<p>Width Depth</p> <p>900 x 800</p> <p>1000 x 800</p> <p>1000 x 900</p>	<p>Standard</p> <p>70-6J ZU</p> <p>70-6D ZU</p> <p>70-6M ZU</p>	<p>ESD</p> <p>71-9J ZU</p> <p>71-9D ZU</p> <p>71-9M ZU</p>
		<p>At front with 3 mm edge strip</p> <p>Front with FlexiLine edge, replaceable</p>	<p>950 x 850</p> <p>1050 x 850</p> <p>1050 x 950</p>	<p>70-6J ZSU</p> <p>70-6D ZSU</p> <p>70-6M ZSU</p>	<p>71-9J ZSU</p> <p>71-9D ZSU</p> <p>71-9M ZSU</p>
		<p>950 x 850</p> <p>1050 x 850</p> <p>1050 x 950</p>	<p>70-6J ZFU</p> <p>70-6D ZFU</p> <p>70-6M ZFU</p>	<p>71-9J ZFU</p> <p>71-9D ZFU</p> <p>71-9M ZFU</p>	

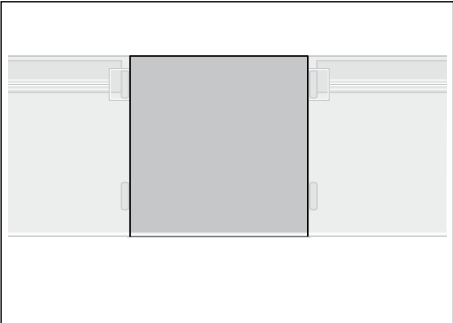
<p>CAD corner panel 90°</p> <p>Front edge 600 mm</p> <p>Inc. supporting foot</p> <p>Outer side length + 425 mm at each side</p>		<p>Technical data</p> <p>70 mm postformed edge at front</p>	<p>Width Depth</p> <p>800 x 900</p> <p>800 x 1000</p> <p>900 x 1000</p>	<p>Standard</p> <p>70-6P ZU</p> <p>70-6G ZU</p> <p>70-6Q ZU</p>	<p>ESD</p> <p>71-9P ZU</p> <p>71-9G ZU</p> <p>71-9Q ZU</p>
		<p>At front with 3 mm edge strip</p> <p>Front with FlexiLine edge, replaceable</p>	<p>850 x 950</p> <p>850 x 1050</p> <p>950 x 1050</p>	<p>70-6P ZSU</p> <p>70-6G ZSU</p> <p>70-6Q ZSU</p>	<p>71-9P ZSU</p> <p>71-9G ZSU</p> <p>71-9Q ZSU</p>
		<p>850 x 950</p> <p>850 x 1050</p> <p>950 x 1050</p>	<p>70-6P ZFU</p> <p>70-6G ZFU</p> <p>70-6Q ZFU</p>	<p>71-9P ZFU</p> <p>71-9G ZFU</p> <p>71-9Q ZFU</p>	

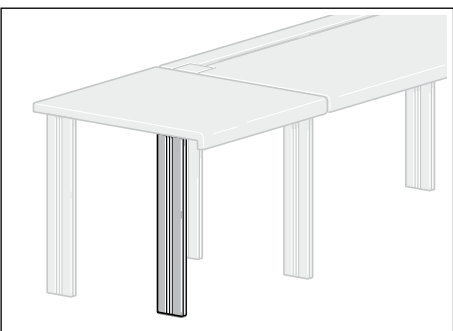
<p>CAD corner panel 90°</p> <p>Front edge 600 mm</p> <p>Inc. supporting foot</p> <p>Outer side length + 425 mm at each side</p>		<p>Technical data</p> <p>70 mm postformed edge at front</p>	<p>Width Depth</p> <p>900 x 800</p> <p>1000 x 800</p> <p>1000 x 900</p>	<p>Standard</p> <p>70-6R ZU</p> <p>70-6K ZU</p> <p>70-6S ZU</p>	<p>ESD</p> <p>71-9R ZU</p> <p>71-9K ZU</p> <p>71-9S ZU</p>
		<p>At front with 3 mm edge strip</p> <p>Front with FlexiLine edge, replaceable</p>	<p>950 x 850</p> <p>1050 x 850</p> <p>1050 x 950</p>	<p>70-6R ZSU</p> <p>70-6K ZSU</p> <p>70-6S ZSU</p>	<p>71-9R ZSU</p> <p>71-9K ZSU</p> <p>71-9S ZSU</p>
		<p>950 x 850</p> <p>1050 x 850</p> <p>1050 x 950</p>	<p>70-6R ZFU</p> <p>70-6K ZFU</p> <p>70-6S ZFU</p>	<p>71-9R ZFU</p> <p>71-9K ZFU</p> <p>71-9S ZFU</p>	

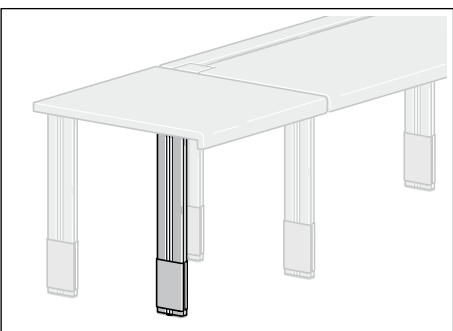
Dimensions in mm

Dimensions in mm

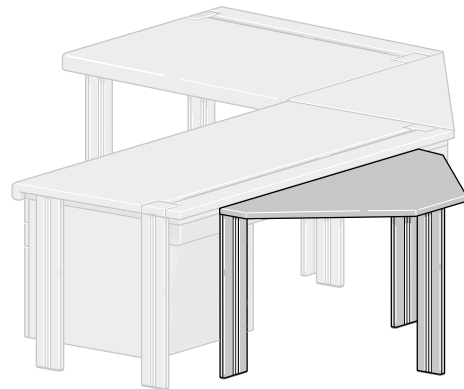


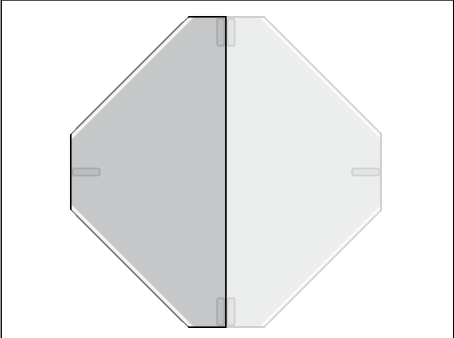
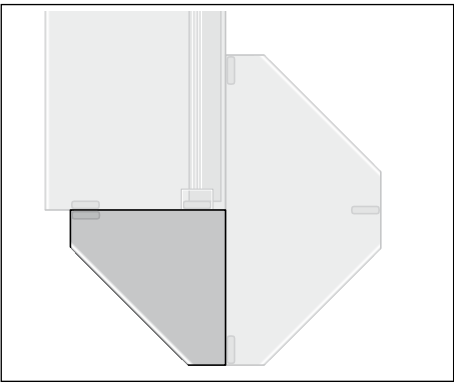
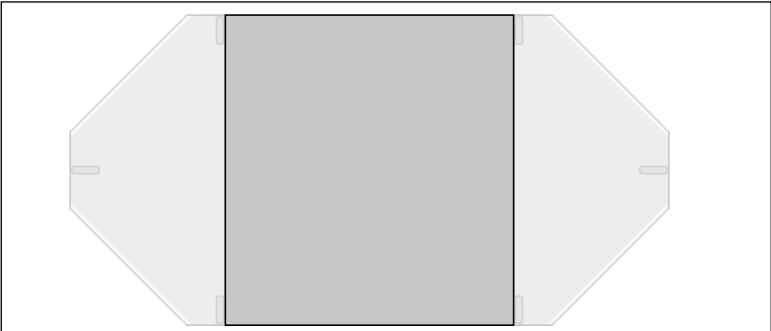
<p>Side tabletop</p>		<p><b>Technical data</b></p> <p>70 mm postformed edge at front</p> <p>At front with 3 mm edge strip</p> <p>Front with FlexiLine edge, replaceable</p>	<p><b>Width Depth</b></p> <p>800 x 800 800 x 900 800 x1000</p> <p>800 x 850 800 x 950 800 x1050</p> <p>800 x 850 800 x 950 800 x1050</p>	<p><b>Standard</b></p> <p>70-1J 70-3J 70-2J</p> <p>70-1J ZS 70-3J ZS 70-2J ZS</p> <p>70-1J ZF 70-3J ZF 70-2J ZF</p>	<p><b>ESD</b></p> <p>70-4J 70-9J 70-5J</p> <p>70-4J ZS 70-9J ZS 70-5J ZS</p> <p>70-4J ZF 70-9J ZF 70-5J ZF</p>
----------------------	---	---	--	---	--

<p>Supporting foot</p>		<p><b>Technical data</b></p> <p>InForm table leg For fixed table height 750 mm, suitable for side tables with metal frames</p>	<p><b>Width Depth Height</b></p> <p>34 x 123 x 720</p>	<p><b>Order no.</b></p> <p>78-2T</p>
------------------------	--	--	--	--------------------------------------

<p>Supporting foot</p>		<p><b>Technical data</b></p> <p>InForm table leg Height-adjustable For table height 720 - 830 mm, suitable for side tables with metal frames</p>	<p><b>Width Depth Height</b></p> <p>34 x 123 x 690-800</p> <p>Dimensions in mm</p>	<p><b>Order no.</b></p> <p>78-2V</p>
------------------------	---	--	--	--------------------------------------






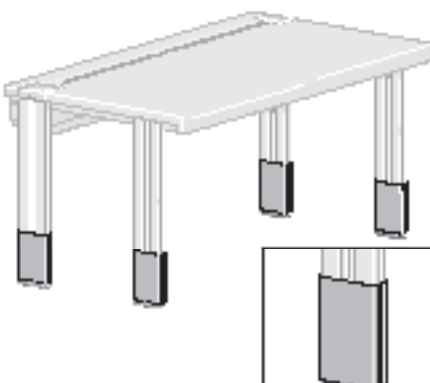

Meeting tables can be arranged separately, as a meeting island, or they can be positioned next to an InForm system table. The 30 mm-thick tabletop is laminate-coated; the sides where participants sit are finished with 30 mm postformed edges – and the other edges with 3 mm edge strips. The table legs are made of aluminium extruded profile with multi-groove profiling and surrounding outer screw channels; fitted height adjusters allow for floor unevenness.

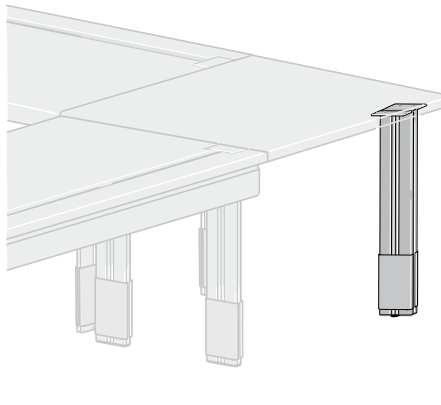

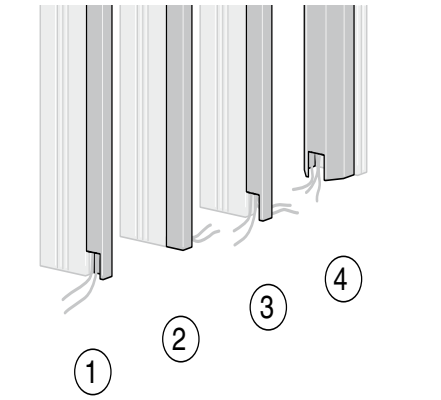





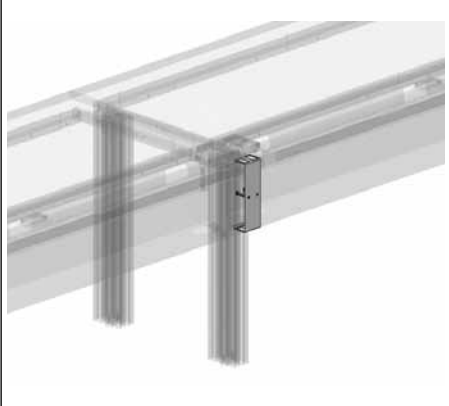


Meeting tables		Technical data	Width	Depth	Height	Order no.
		With 3 InForm foot profiles, free-standing  Note: For 4er seating groups, 2 pieces 70-7A are required	1450	725	720	70-7A
Segment corner panel		Technical data Inc. mounting material	725	725	720	70-7B
Intermediate panel			1450	1200	30	70-7C

Dimensions in mm

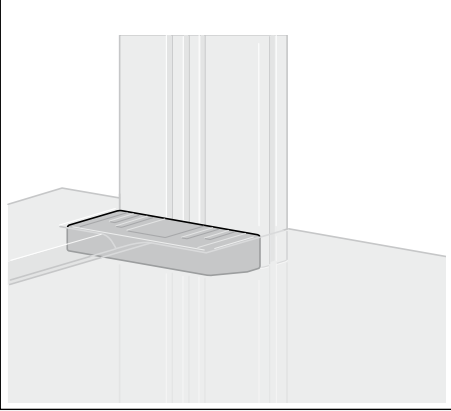
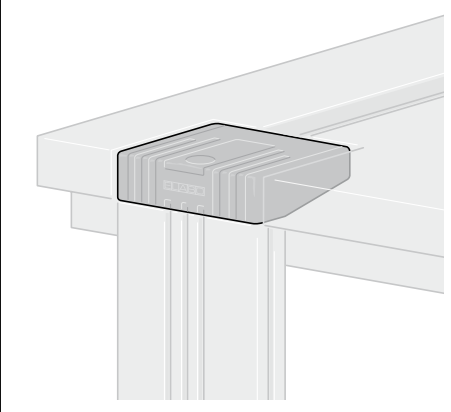
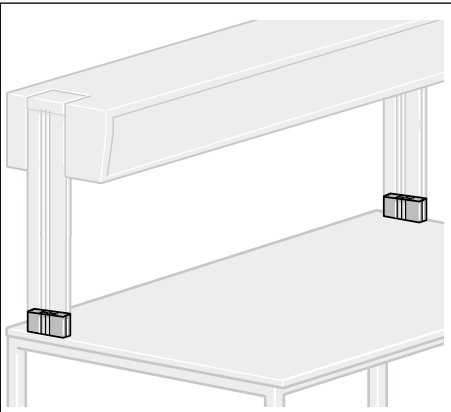
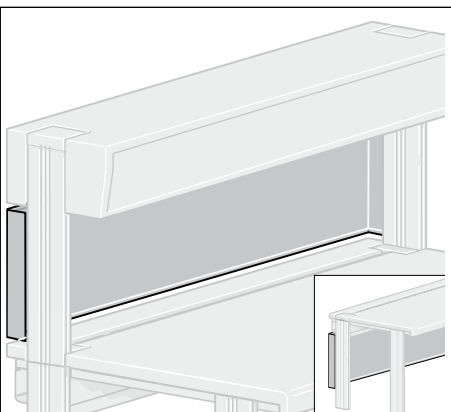
You can also easily retrofit castors to the table legs. The reinforcement bar is required for mobile tables. Please note when first ordering castors with the tables: add ZR1 or ZR2 (ESD) to the table order number for table height 750 mm with castors (inc. castor installation height of 120 mm). On mounting the retrofit castor set 78-1R/S, the table height will increase by the swivel castor installation height: 120 mm.


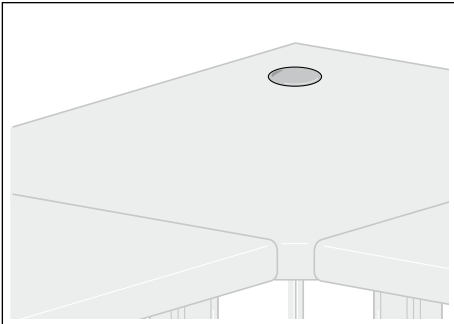
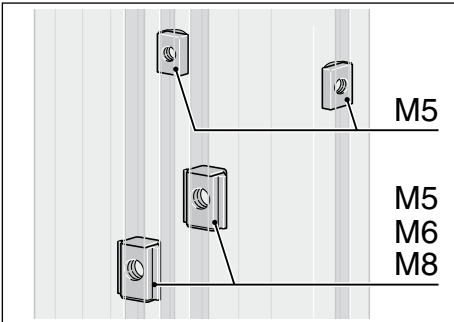
<p><b>Double swivel castors</b></p> <p>Diameter 100 mm</p>		<p><b>Technical data</b></p> <p>4 double swivel castors for InForm tables, 2 of these lockable, load capacity 100 kg/castor.</p> <p>Castors mounted for table height 750 mm:</p> <p>Standard set </p> <p>Conductive set</p> <p>Roller retrofit kit:</p> <p>Standard set </p> <p>Conductive set</p>	<p><b>Diameter</b></p> <p>100</p> <p>100</p> <p>100</p> <p>100</p>	<p><b>Order no.</b></p> <p>70-XX ZR1</p> <p>70-XX ZR2</p> <p>78-1R</p> <p>78-1S</p>
<p><b>Reinforcement bar</b></p>		<p><b>Technical data</b></p> <p>Colour: light grey</p> <p>For table width</p> <p>2000 mm</p> <p>1800 mm</p> <p>1600 mm</p> <p>1500 mm</p> <p>1200 mm</p>	<p><b>Width</b> <b>Depth</b> <b>Height</b></p> <p>1928 x 75 x 32</p> <p>1728 x 75 x 32</p> <p>1528 x 75 x 32</p> <p>1428 x 75 x 32</p> <p>1128 x 75 x 32</p>	<p><b>Order no.</b></p> <p>78-1C</p> <p>78-1D</p> <p>78-1U</p> <p>78-1E</p> <p>78-1F</p>
<p><b>Table foot bracket</b></p>		<p><b>Technical data</b></p> <p>InForm table foot bracket for attaching system tables to the floor (in pairs). Can be mounted either at the face end or the side.</p> <p>InForm connecting fitting for rows of tables (in pairs)</p>	<p><b>Width</b> <b>Depth</b> <b>Height</b></p> <p>30 x 60 x 35</p> <p>58 x 2 x 20</p>	<p><b>Order no.</b></p> <p>78-1G ZX02</p> <p>78-1H</p>
<p><b>Table height adjuster</b></p>		<p><b>Technical data</b></p> <p>4 adjustable slide-on fittings for continuous bench foot height of 720 to 830 mm. Supplied with complete lockable covering screen.</p> <p>Standard (ESD) </p> <p>Additional charge per table</p>	<p><b>Width</b> <b>Depth</b> <b>Height</b></p> <p>38 x 128 x 720-830</p> <p>Dimensions in mm</p>	<p><b>Order no.</b></p> <p>70-XX ZV1</p>

<p>Supporting foot</p>		<p>Technical data</p> <p>InForm table leg for table height adjustment 720 to 830 mm, with mounting flange for corner plates</p> <p>Standard (ESD) </p>	<p>Width Depth Height</p> <p>38 x 128 x 720-830</p>	<p>Order no.</p> <p>70-XX ZV3</p>
<p>Riser ducts</p>		<p>Technical data</p> <p>Made of powder coated aluminium plate</p> <p>1 left</p> <p>2 right</p> <p>3 central over 2 foot profiles</p> <p>4 at side (installation either left or right)</p> <p>For Tables 70-.. ZU, ZSU and ZFU</p>	<p>Width Depth Height</p> <p>31 x 52 x 712</p> <p>31 x 52 x 712</p> <p>68 x 52 x 712</p> <p>75 x 50 x 560</p> <p>75 x 50 x 480</p>	<p>Order no.</p> <p>78-1J</p> <p>78-1K</p> <p>78-1L</p> <p>78-1M</p> <p>78-1M ZH480</p>
<p>Additional riser ducts</p>		<p>Technical data</p> <p>Made of extruded aluminium profile with aluminium filler panels, powder coated</p> <p>Can be attached to side</p>	<p>Width Depth Height</p> <p>115 x 120 x 540</p>	<p>Order no.</p> <p>78-1W</p>
<p>Additional riser ducts</p>		<p>Technical data</p> <p>For rear-side installation on InForm aluminium multi-groove profile. With brush profile segments for cable feed on both sides. Manufactured from powder coated metal plate.</p> <p>Available colour variants Light grey or basalt grey</p> <p>Scope of delivery: 1 piece inc. mounting material.</p>	<p>Width Depth Height</p> <p>34 x 38 x Z</p> <p>Z = Please specify the required height on order</p>	<p>Order no.</p> <p>75-8Q</p>

Cable duct cover		<b>Technical data</b> To provide a side cover for the standard series cable duct, system table InForm, light grey	<b>Width</b> <b>Depth</b> <b>Height</b>	<b>Order no.</b>
			52 x 25 x 195	78-5M
Cable duct bridge		<b>Technical data</b> For connection of two cable trays on rows of tables, system table InForm, light grey	<b>Width</b> <b>Depth</b> <b>Height</b>	<b>Order no.</b>
			70 x 52 x 235	78-5P
Cable channels		<b>Technical data</b> Cable channels for hanging into the cable tray. The fabric bag has two metal rails at the top. Two guides are integrated into the cable tray, into which these metal rails are hung. Velcro tapes are attached to the metal rails for improved storage or extra cables.	<b>Width</b> <b>Depth</b> <b>Height</b>	<b>Order no.</b>
			965 x 150	75-8R
Socket set		<b>Technical data</b> consists of: 2 socket brackets for cable tray 2 socket strips 3x Schuko 1 connection cable Schuko 3 m 1 connection line 1.5 m or 2.5 m  For table width of up to 1500 mm For table widths of up to 1600 mm	<b>Width</b> <b>Depth</b> <b>Height</b>	<b>Order no.</b>
for the cable tray				81-2X Z01
				81-2X Z02
			Dimensions in mm	



Feed through stop		<p>Technical data</p> <p>InForm feed through stops (in pairs) made of plastic for tables and racks</p>	<table border="1"> <thead> <tr> <th>Width</th> <th>Depth</th> <th>Height</th> </tr> </thead> <tbody> <tr> <td>51</td> <td>123</td> <td>30</td> </tr> </tbody> </table>	Width	Depth	Height	51	123	30	<table border="1"> <thead> <tr> <th>Order no.</th> </tr> </thead> <tbody> <tr> <td>78-2Q</td> </tr> </tbody> </table>	Order no.	78-2Q																
Width	Depth	Height																										
51	123	30																										
Order no.																												
78-2Q																												
Profile cover		<p>Technical data</p> <p>InForm profile cover (in pairs) made of plastic for tables and racks</p>	<table border="1"> <thead> <tr> <th>Width</th> <th>Depth</th> <th>Height</th> </tr> </thead> <tbody> <tr> <td>85</td> <td>123</td> <td>30</td> </tr> </tbody> </table>	Width	Depth	Height	85	123	30	<table border="1"> <thead> <tr> <th>Order no.</th> </tr> </thead> <tbody> <tr> <td>78-2P</td> </tr> </tbody> </table>	Order no.	78-2P																
Width	Depth	Height																										
85	123	30																										
Order no.																												
78-2P																												
InForm profile adaptor		<p>Technical data</p> <p>for keyed and friction-locked installation of InForm vertical profiles. In principle, attachment is possible on any working surface. (pair)</p> <p>For Elabo-EcoTec tables and many other brands</p>	<table border="1"> <thead> <tr> <th>Width</th> <th>Depth</th> <th>Height</th> </tr> </thead> <tbody> <tr> <td>34</td> <td>123</td> <td>44</td> </tr> </tbody> </table>	Width	Depth	Height	34	123	44	<table border="1"> <thead> <tr> <th>Order no.</th> </tr> </thead> <tbody> <tr> <td>78-2F</td> </tr> </tbody> </table>	Order no.	78-2F																
Width	Depth	Height																										
34	123	44																										
Order no.																												
78-2F																												
Visual protection screen		<p>Technical data</p> <p>Visual protection screen made of 1.5 mm steel plate, rounded edges on all sides and powder coated in light grey, complete with fastening fittings. Can be mounted above or below the tabletop.</p>	<table border="1"> <thead> <tr> <th>Width</th> <th>Depth</th> <th>Height</th> </tr> </thead> <tbody> <tr> <td>1996</td> <td>60</td> <td>406</td> </tr> <tr> <td>1796</td> <td>60</td> <td>406</td> </tr> <tr> <td>1596</td> <td>60</td> <td>406</td> </tr> <tr> <td>1496</td> <td>60</td> <td>406</td> </tr> <tr> <td>1196</td> <td>60</td> <td>406</td> </tr> </tbody> </table> <p>Dimensions in mm</p>	Width	Depth	Height	1996	60	406	1796	60	406	1596	60	406	1496	60	406	1196	60	406	<table border="1"> <thead> <tr> <th>Order no.</th> </tr> </thead> <tbody> <tr> <td>70-8G</td> </tr> <tr> <td>70-8A</td> </tr> <tr> <td>70-8D</td> </tr> <tr> <td>70-8B</td> </tr> <tr> <td>70-8C</td> </tr> </tbody> </table>	Order no.	70-8G	70-8A	70-8D	70-8B	70-8C
Width	Depth	Height																										
1996	60	406																										
1796	60	406																										
1596	60	406																										
1496	60	406																										
1196	60	406																										
Order no.																												
70-8G																												
70-8A																												
70-8D																												
70-8B																												
70-8C																												

<p>Replacement table edge</p>		<p><b>Technical data</b></p> <p>Replacement table edge for tabletops with FlexiLine edge</p> <p>For table width 2000 mm                  For table width 1800 mm                  For table width 1600 mm                  For table width 1500 mm                  For table width 1200 mm</p>	<table border="1"> <thead> <tr> <th>Width</th> <th>Depth</th> <th>Height</th> </tr> </thead> <tbody> <tr> <td></td> <td></td> <td></td> </tr> </tbody> </table>	Width	Depth	Height				<table border="1"> <thead> <tr> <th>Order no.</th> </tr> </thead> <tbody> <tr> <td>81-6K ZB2000</td> </tr> <tr> <td>81-6K ZB1800</td> </tr> <tr> <td>81-6K ZB1600</td> </tr> <tr> <td>81-6K ZB1500</td> </tr> <tr> <td>81-6K ZB1200</td> </tr> </tbody> </table>	Order no.	81-6K ZB2000	81-6K ZB1800	81-6K ZB1600	81-6K ZB1500	81-6K ZB1200
Width	Depth	Height														
Order no.																
81-6K ZB2000																
81-6K ZB1800																
81-6K ZB1600																
81-6K ZB1500																
81-6K ZB1200																
<p>Cable outlet</p>		<p><b>Technical data</b></p> <p>2-part for corner plates</p> <p>Z = Please specify place of installation</p>	<table border="1"> <thead> <tr> <th>Width</th> <th>Depth</th> <th>Height</th> </tr> </thead> <tbody> <tr> <td></td> <td>80</td> <td></td> </tr> </tbody> </table>	Width	Depth	Height		80		<table border="1"> <thead> <tr> <th>Order no.</th> </tr> </thead> <tbody> <tr> <td>81-2K Z</td> </tr> </tbody> </table>	Order no.	81-2K Z				
Width	Depth	Height														
	80															
Order no.																
81-2K Z																
<p>Snap-on nuts</p>		<p><b>Technical data</b></p> <p>Spring nut M5 for small groove</p> <p>Snap-on nut M6 for large groove</p> <p>Snap-on nut M8 for large groove</p> <p>Snap-on nut M5 for large groove</p>	<table border="1"> <thead> <tr> <th>Width</th> <th>Depth</th> <th>Height</th> </tr> </thead> <tbody> <tr> <td></td> <td></td> <td></td> </tr> </tbody> </table>	Width	Depth	Height				<table border="1"> <thead> <tr> <th>Order no.</th> </tr> </thead> <tbody> <tr> <td>78-2G</td> </tr> <tr> <td>78-2H</td> </tr> <tr> <td>78-2J</td> </tr> <tr> <td>78-2HZM5</td> </tr> </tbody> </table>	Order no.	78-2G	78-2H	78-2J	78-2HZM5	
Width	Depth	Height														
Order no.																
78-2G																
78-2H																
78-2J																
78-2HZM5																



The FlexiLine edge made of black, low-inflammability hard PVC can be removed and therefore replaced if required. This increases the lifetime and system intelligence of Elabo laboratory furniture. The ergonomically-shaped edges are anti-static and non-conductive.

### Material

The unit consists of 19 mm-thick 3-layer chipboard panels; the surfaces are coated with melamine resin. The edges are protected with an edge strip made of plastic, and the drawers and doors have postformed edges. The bar rails are each delivered in the respective colour.

The drawers are made from black powder coated steel plate with circumferential rows of perforations for organisation elements.

### Folding doors

Base cabinets with folding doors have a height-adjustable shelf; the folding doors open by 110°.



### Roller container

Roller containers have a 30 mm cover plate with a postformed edge and 4 swivel castors (Ø 50 mm), 2 of these lockable.

### Technical data:

Drawer dimensions:  
 Unit of height =  
 2 HU Effective height 90 mm  
 Unit of height =  
 4 HU Effective height 190 mm  
 Unit of height =  
 6 HU Effective height 290 mm

Material pullout 1 HU

Drawer width = 330 mm clearance

Unit depth 620 mm =  
 Effective depth of drawer 490 mm  
 Unit depth 820 mm =  
 Effective depth of drawer 690 mm

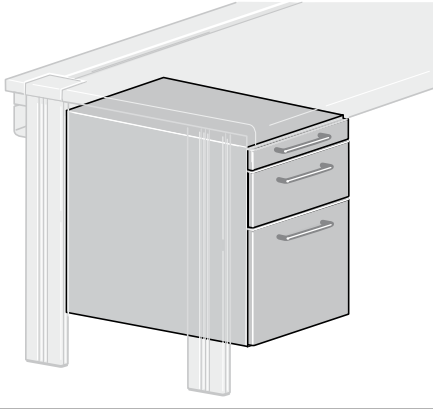

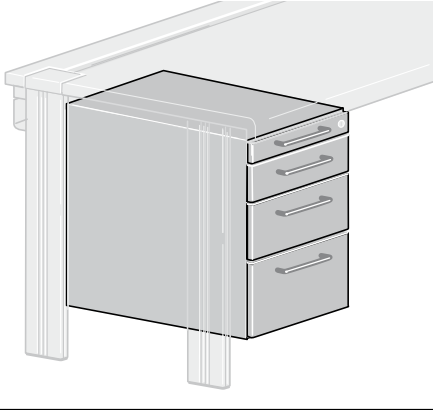

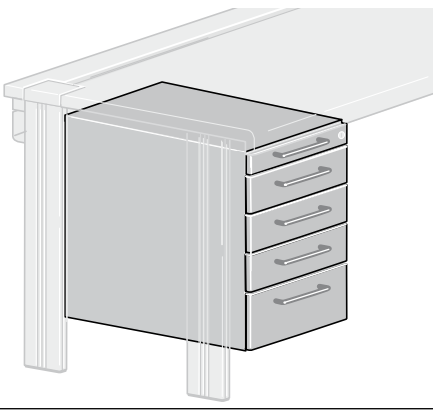

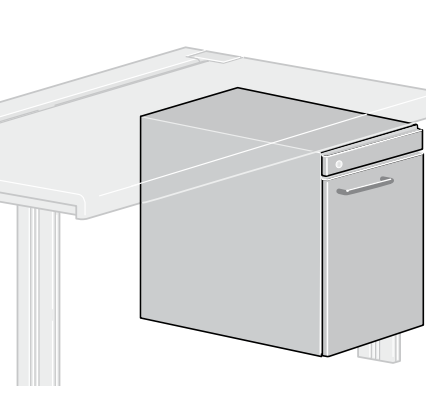

Load capacity:  
 Metal ball bearing guide = 250 N  
 Full telescopic pullout = 450 N

### ESD design

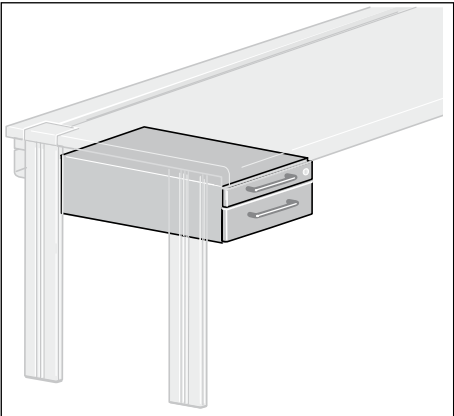
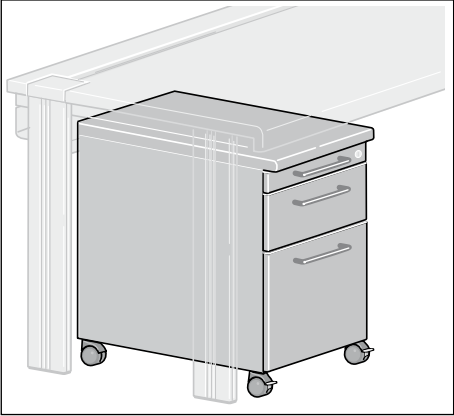
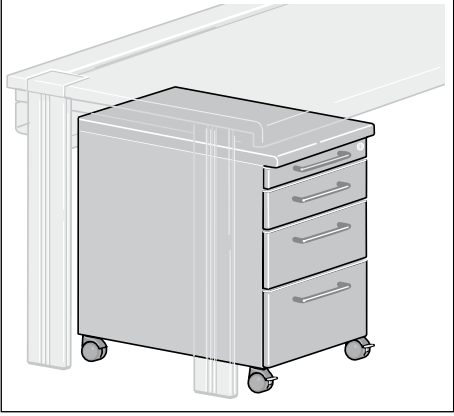
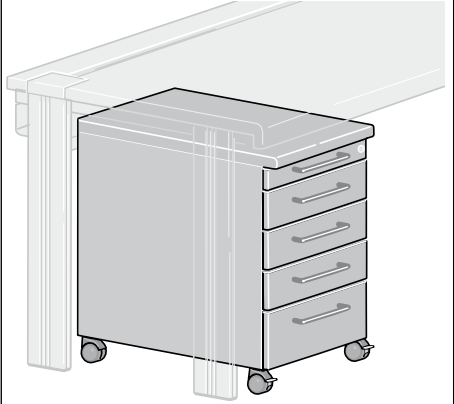
The entire unit consists of conductive material, as does the drawer powder coating, the cover plate on the roller container and all swivel castors. Resistance values acc. IEC 61340-5-1.

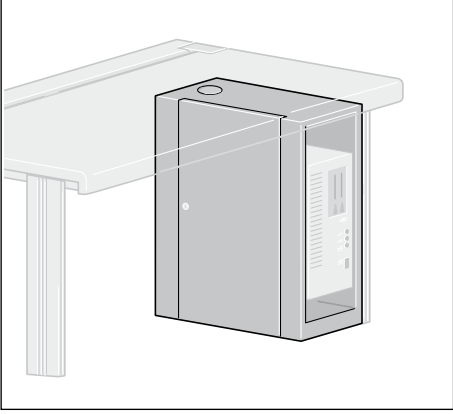
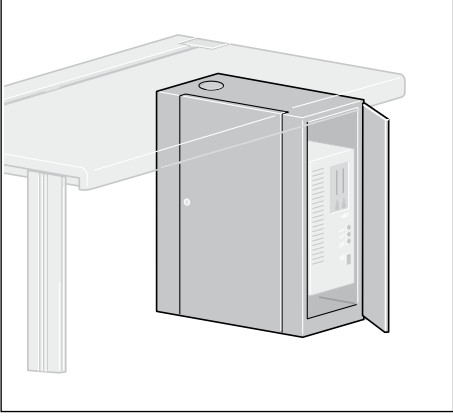
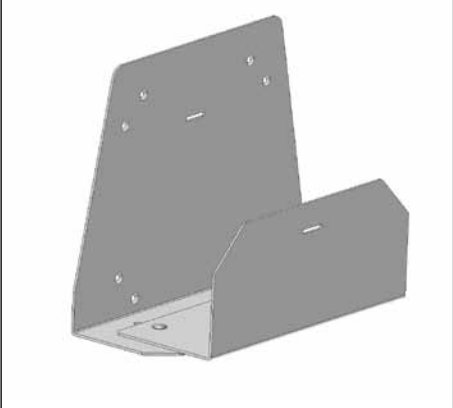
### Advantages

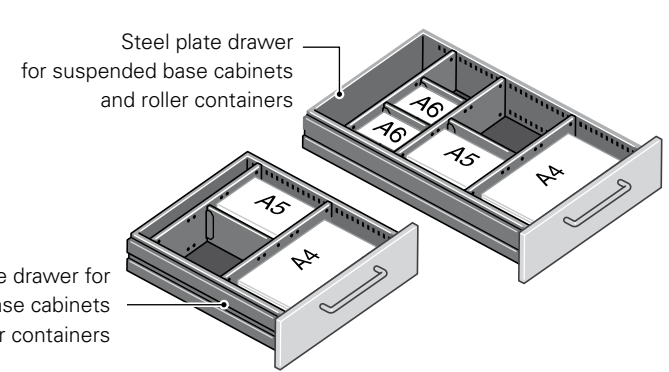
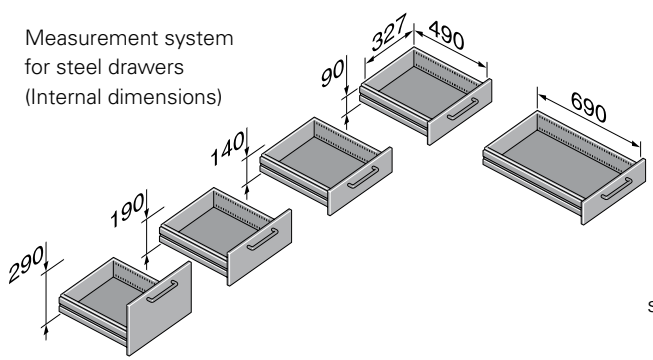
- Drawers and doors with postformed edges
- Locking system-capable security locks
- Mutual drawer pullout lock
- Standard series lower drawer equipped with full telescopic pullout

Base cabinet		<p><b>Technical data</b></p> <p>1 material pullout 1 drawer 3 HU 1 drawer 6 HU</p> <p>Standard For table depth 800/900 mm For table depth 1000 mm</p> <p>ESD  For table depth 800/900 mm For table depth 1000 mm</p> <p>Also available with radio technology (closure via transponder), see L163</p>	<p><b>Width</b> <b>Depth</b> <b>Height</b></p> <p>420 x 620 x 541 420 x 820 x 541</p> <p>420 x 620 x 541 420 x 820 x 541</p>	<p><b>Order no.</b></p> <p>71-1C 71-2C</p> <p>71-4C 71-5C</p>
Base cabinet		<p><b>Technical data</b></p> <p>1 material pullout 1 drawer 2 HU 1 drawer 3 HU 1 drawer 4 HU</p> <p>Standard For table depth 800/900 mm For table depth 1000 mm</p> <p>ESD  For table depth 800/900 mm For table depth 1000 mm</p>	<p><b>Width</b> <b>Depth</b> <b>Height</b></p> <p>420 x 620 x 541 420 x 820 x 541</p> <p>420 x 620 x 541 420 x 820 x 541</p>	<p><b>Order no.</b></p> <p>71-1E 71-2E</p> <p>71-4E 71-5E</p>
Base cabinet		<p><b>Technical data</b></p> <p>1 material pullout 3 drawers 2 HU 1 drawer 3 HU</p> <p>Standard For table depth 800/900 mm For table depth 1000 mm</p> <p>ESD  For table depth 800/900 mm For table depth 1000 mm</p> <p>Also available with radio technology, see 71-1C</p>	<p><b>Width</b> <b>Depth</b> <b>Height</b></p> <p>420 x 620 x 541 420 x 820 x 541</p> <p>420 x 620 x 541 420 x 820 x 541</p>	<p><b>Order no.</b></p> <p>71-1F 71-2F</p> <p>71-4F 71-5F</p>
Base cabinet		<p><b>Technical data</b></p> <p>1 folding door, right 1 shelf</p> <p>Standard For table depth 800/900 mm For table depth 1000 mm</p> <p>ESD  For table depth 800/900 mm For table depth 1000 mm</p>	<p><b>Width</b> <b>Depth</b> <b>Height</b></p> <p>420 x 620 x 541 420 x 820 x 541</p> <p>420 x 620 x 541 420 x 820 x 541</p>	<p><b>Order no.</b></p> <p>71-1J 71-2J</p> <p>71-4J 71-5J</p>

Dimensions in mm

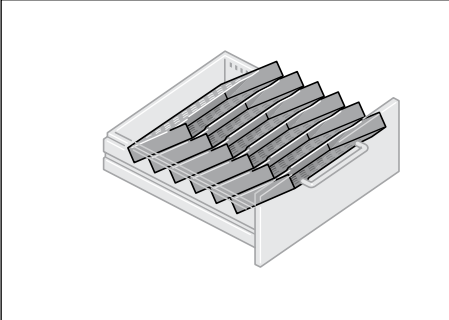
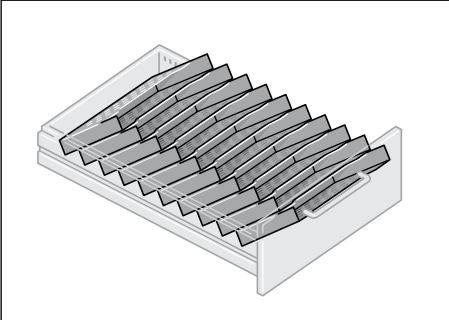
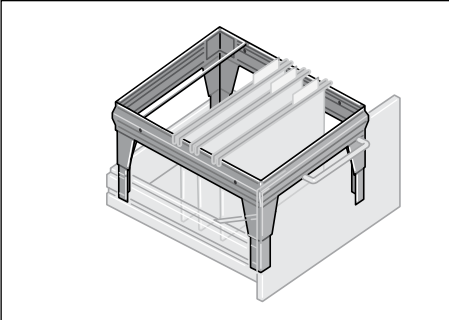
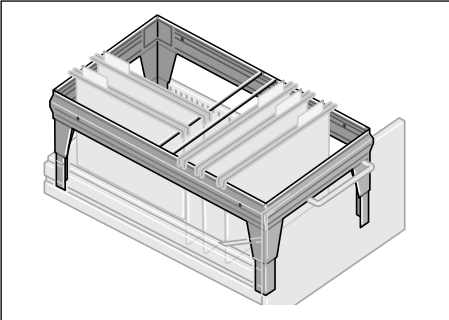
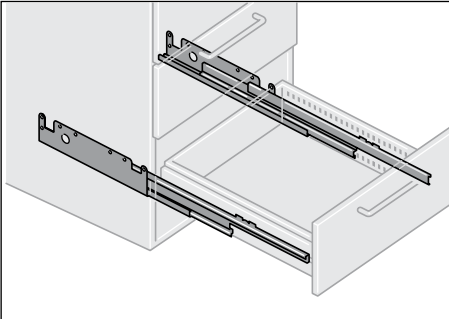
Base cabinet		Technical data	Width	Depth	Height	Order no.
		1 material pullout 1 drawer 2 HU Lockable				
		Standard For table depth 800/900 mm For table depth 1000 mm	420	x 620	x 191	71-1A
			420	x 820	x 191	71-2A
		ESD For table depth 800/900 mm For table depth 1000 mm	420	x 620	x 191	71-4A
			420	x 820	x 191	71-5A
		Also available with radio technology, see 71-1L				
Roller container		Technical data	Width	Depth	Height	Order no.
		1 material pullout 1 drawer 3 HU 1 drawer 6 HU				
		Standard For table depth 800/900 mm For table depth 1000 mm	420	x 620	x 636	71-1L
			420	x 820	x 636	71-2L
		ESD For table depth 800/900 mm For table depth 1000 mm	420	x 620	x 636	71-4L
			420	x 820	x 636	71-5L
		Also available with radio technology (closure via transponder), see L163				
Roller container		Technical data	Width	Depth	Height	Order no.
		1 material pullout 1 drawer 2 HU 1 drawer 3 HU 1 drawer 4 HU				
		Standard For table depth 800/900 mm For table depth 1000 mm	420	x 620	x 636	71-1M
			420	x 820	x 636	71-2M
		ESD For table depth 800/900 mm For table depth 1000 mm	420	x 620	x 636	71-4M
			420	x 820	x 636	71-5M
		Also available with radio technology, see 71-1L				
Roller container		Technical data	Width	Depth	Height	Order no.
		1 material pullout 3 drawers 2 HU 1 drawer 3 HU				
		Standard For table depth 800/900 mm For table depth 1000 mm	420	x 620	x 636	71-1N
			420	x 820	x 636	71-2N
		ESD For table depth 800/900 mm For table depth 1000 mm	420	x 620	x 636	71-4N
			420	x 820	x 636	71-5N
		Also available with radio technology, see 71-1L				
			Dimensions in mm			

<p>PC base cabinet</p>		<p><b>Technical data</b></p> <p>Door left, attachment right                      For table depth 800/900 mm                      For table depth 1000 mm                      ESD, for table depth 800/900 mm                      ESD, for table depth 1000 mm</p> <p>Door right, attachment left                      For table depth 800/900 mm                      For table depth 1000 mm                      ESD, for table depth 800/900 mm                      ESD, for table depth 1000 mm</p>	<table border="1"> <thead> <tr> <th>Width</th> <th>Depth</th> <th>Height</th> </tr> </thead> <tbody> <tr> <td>300</td> <td>600</td> <td>680</td> </tr> <tr> <td>300</td> <td>800</td> <td>680</td> </tr> <tr> <td>300</td> <td>600</td> <td>680</td> </tr> <tr> <td>300</td> <td>800</td> <td>680</td> </tr> <tr> <td>300</td> <td>600</td> <td>680</td> </tr> <tr> <td>300</td> <td>800</td> <td>680</td> </tr> </tbody> </table>	Width	Depth	Height	300	600	680	300	800	680	300	600	680	300	800	680	300	600	680	300	800	680	<table border="1"> <thead> <tr> <th>Order no.</th> </tr> </thead> <tbody> <tr> <td>71-1R</td> </tr> <tr> <td>71-2R</td> </tr> <tr> <td>71-4R</td> </tr> <tr> <td>71-5R</td> </tr> <tr> <td>71-1S</td> </tr> <tr> <td>71-2S</td> </tr> <tr> <td>71-4S</td> </tr> <tr> <td>71-5S</td> </tr> </tbody> </table>	Order no.	71-1R	71-2R	71-4R	71-5R	71-1S	71-2S	71-4S	71-5S
Width	Depth	Height																																
300	600	680																																
300	800	680																																
300	600	680																																
300	800	680																																
300	600	680																																
300	800	680																																
Order no.																																		
71-1R																																		
71-2R																																		
71-4R																																		
71-5R																																		
71-1S																																		
71-2S																																		
71-4S																																		
71-5S																																		
<p>PC base cabinet                      With front door</p>		<p><b>Technical data</b></p> <p>Attachment right, side door left                      For table depth 800/900 mm                      For table depth 1000 mm                      ESD, for table depth 800/900 mm                      ESD, for table depth 1000 mm</p> <p>Attachment left, side door right                      For table depth 800/900 mm                      For table depth 1000 mm                      ESD, for table depth 800/900 mm                      ESD, for table depth 1000 mm</p>	<table border="1"> <thead> <tr> <th>Width</th> <th>Depth</th> <th>Height</th> </tr> </thead> <tbody> <tr> <td>300</td> <td>600</td> <td>680</td> </tr> <tr> <td>300</td> <td>800</td> <td>680</td> </tr> <tr> <td>300</td> <td>600</td> <td>680</td> </tr> <tr> <td>300</td> <td>800</td> <td>680</td> </tr> <tr> <td>300</td> <td>600</td> <td>680</td> </tr> <tr> <td>300</td> <td>800</td> <td>680</td> </tr> </tbody> </table>	Width	Depth	Height	300	600	680	300	800	680	300	600	680	300	800	680	300	600	680	300	800	680	<table border="1"> <thead> <tr> <th>Order no.</th> </tr> </thead> <tbody> <tr> <td>71-1T</td> </tr> <tr> <td>71-2T</td> </tr> <tr> <td>71-4T</td> </tr> <tr> <td>71-5T</td> </tr> <tr> <td>71-1U</td> </tr> <tr> <td>71-2U</td> </tr> <tr> <td>71-4U</td> </tr> <tr> <td>71-5U</td> </tr> </tbody> </table>	Order no.	71-1T	71-2T	71-4T	71-5T	71-1U	71-2U	71-4U	71-5U
Width	Depth	Height																																
300	600	680																																
300	800	680																																
300	600	680																																
300	800	680																																
300	600	680																																
300	800	680																																
Order no.																																		
71-1T																																		
71-2T																																		
71-4T																																		
71-5T																																		
71-1U																																		
71-2U																																		
71-4U																																		
71-5U																																		
<p>PC bracket</p>		<p><b>Technical data</b></p> <p>Made of 3 mm aluminium plate for mounting onto the side left or right of table leg</p> <p>The bracket can be adapted to PCs of various widths from 160 to 220 mm. The PC can be attached using the Velcro tape supplied.</p> <p>Colour: light grey</p>	<table border="1"> <thead> <tr> <th>Width</th> <th>Depth</th> <th>Height</th> </tr> </thead> <tbody> <tr> <td>220</td> <td>400</td> <td>300</td> </tr> </tbody> </table> <p>Dimensions in mm</p>	Width	Depth	Height	220	400	300	<table border="1"> <thead> <tr> <th>Order no.</th> </tr> </thead> <tbody> <tr> <td>78-3T</td> </tr> </tbody> </table>	Order no.	78-3T																						
Width	Depth	Height																																
220	400	300																																
Order no.																																		
78-3T																																		

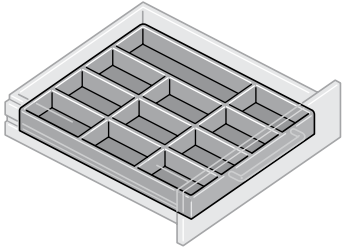


Partition/compartiment divider	Technical data	Width	Depth	Height	Order no.
	① Black metal partition for transverse drawer division A5 compartment divider, black metal, for additional	326	x 10	x 76	07-7A
	② A5 divisions in connection with partition 07-7A A6 compartment divider, black metal, for additional	220	x 1	x 72	07-7D
	③ A6 divisions in connection with partition 07-7A	150	x 1	x 72	07-7E
Tray insert	Technical data	Width	Depth	Height	Order no.
	Plastic tray insert with 4x divisions, black	325	x 325	x 40	07-7M
	Plastic tray insert with 9x divisions, black	325	x 325	x 40	07-7N
Stamp insert	Technical data	Width	Depth	Height	Order no.
	Stamp insert For 8 stamps and date stamps, black metal	325	x 105	x 35	07-7J
Card index box	Technical data	Width	Depth	Height	Order no.
	Card index box A5 across Black metal	229	x 324	x 155	07-7K
	Swivel support A5 across, black metal	226/211		x 147	07-7L
Dimensions in mm					

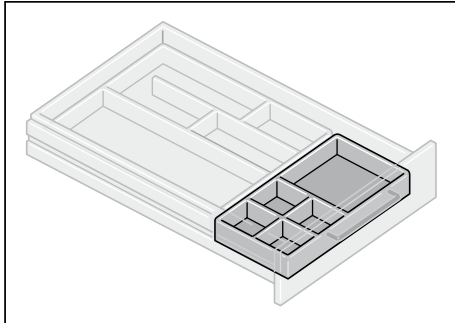


<p>Form storage set</p>		<p>Technical data</p> <p>Form storage set A4, plastic, 6x for an effective drawer depth of 490 mm, required drawer height 4 HU</p>	<table border="1"> <thead> <tr> <th>Width</th> <th>Depth</th> <th>Height</th> </tr> </thead> <tbody> <tr> <td>326</td> <td>x 450</td> <td>x 160</td> </tr> </tbody> </table>	Width	Depth	Height	326	x 450	x 160	<table border="1"> <thead> <tr> <th>Order no.</th> </tr> </thead> <tbody> <tr> <td>07-7P</td> </tr> </tbody> </table>	Order no.	07-7P	
Width	Depth	Height											
326	x 450	x 160											
Order no.													
07-7P													
<p>Form storage set</p>		<p>Technical data</p> <p>Form storage set A4, plastic, 11x for an effective drawer depth of 690 mm, required drawer height 4 HU</p>	<table border="1"> <thead> <tr> <th>Width</th> <th>Depth</th> <th>Height</th> </tr> </thead> <tbody> <tr> <td>326</td> <td>x 580</td> <td>x 160</td> </tr> </tbody> </table>	Width	Depth	Height	326	x 580	x 160	<table border="1"> <thead> <tr> <th>Order no.</th> </tr> </thead> <tbody> <tr> <td>07-7Q</td> </tr> </tbody> </table>	Order no.	07-7Q	
Width	Depth	Height											
326	x 580	x 160											
Order no.													
07-7Q													
<p>Hanging filing system</p>		<p>Technical data</p> <p>Insertable A4 hanging frame With 1 separator bar, black metal. For an effective drawer depth of 490 mm, required drawer height 6 HU</p>	<table border="1"> <thead> <tr> <th>Width</th> <th>Depth</th> <th>Height</th> </tr> </thead> <tbody> <tr> <td>350</td> <td>x 510</td> <td>x 244</td> </tr> </tbody> </table>	Width	Depth	Height	350	x 510	x 244	<table border="1"> <thead> <tr> <th>Order no.</th> </tr> </thead> <tbody> <tr> <td>07-7S</td> </tr> </tbody> </table>	Order no.	07-7S	
Width	Depth	Height											
350	x 510	x 244											
Order no.													
07-7S													
<p>Hanging filing system</p>		<p>Technical data</p> <p>Insertable A4 hanging frame With 2 separator bars, black metal. For an effective drawer depth of 690 mm, required drawer height 6 HU</p>	<table border="1"> <thead> <tr> <th>Width</th> <th>Depth</th> <th>Height</th> </tr> </thead> <tbody> <tr> <td>350</td> <td>x 510</td> <td>x 244</td> </tr> </tbody> </table>	Width	Depth	Height	350	x 510	x 244	<table border="1"> <thead> <tr> <th>Order no.</th> </tr> </thead> <tbody> <tr> <td>07-7T</td> </tr> </tbody> </table>	Order no.	07-7T	
Width	Depth	Height											
350	x 510	x 244											
Order no.													
07-7T													
<p>Full telescopic pullout</p>		<p>Technical data</p> <p>Full telescopic pullout for an effective drawer depth of 490 mm</p> <p>Full telescopic pullout for an effective drawer depth of 690 mm</p> <p>Installed into lower drawer in standard series</p>	<table border="1"> <thead> <tr> <th>Width</th> <th>Depth</th> <th>Height</th> </tr> </thead> <tbody> <tr> <td></td> <td></td> <td></td> </tr> </tbody> </table> <p>Dimensions in mm</p>	Width	Depth	Height				<table border="1"> <thead> <tr> <th>Order no.</th> </tr> </thead> <tbody> <tr> <td>07-9A</td> </tr> <tr> <td>07-9B</td> </tr> </tbody> </table>	Order no.	07-9A	07-9B
Width	Depth	Height											
Order no.													
07-9A													
07-9B													



Moulded tray		Technical data	Width    Depth    Height	Order no.
		Polystyrene moulded tray with 20 compartments	326 x 470 x 35	07-8A
Moulded tray		Technical data	Width    Depth    Height	Order no.
		Polystyrene moulded tray with 11 compartments for components, small parts etc.	326 x 470 x 35	07-8B
Moulded tray		Technical data	Width    Depth    Height	Order no.
		Polystyrene moulded tray with 9 compartments for storing tools of any kind.	326 x 470 x 35	07-8C
Moulded tray		Technical data	Width    Depth    Height	Order no.
		Polystyrene moulded tray with 8 compartments.	326 x 470 x 35	07-8D
Moulded tray		Technical data	Width    Depth    Height	Order no.
		Polystyrene moulded tray with 5 compartments.	326 x 470 x 35	07-8E
			Dimensions in mm	

Filler tray



Technical data

Filler tray with 5 compartments. Can be combined with a moulded tray in drawers with an effective depth of 690 mm.

Filler tray with 2 compartments

Width	Depth	Height	Order no.
326	x 205	x 35	07-8G
80	x 470	x 35	07-8F



Three tool sets with foam inserts are available which are suitable for all Elabo base cabinets and roller containers. We would be happy to send you the respective datasheet.



19" fixed or mobile base cabinets and cabinets matching the InForm system tables can be combined into complete functional groups under tables, as side tables or as free-standing components for optimum use.

Max. permitted total weight 180 kg.

Lid and bottom parts are made of cast aluminium. The 4 aluminium grid profiles allows you to install 19" components acc. DIN 41494.

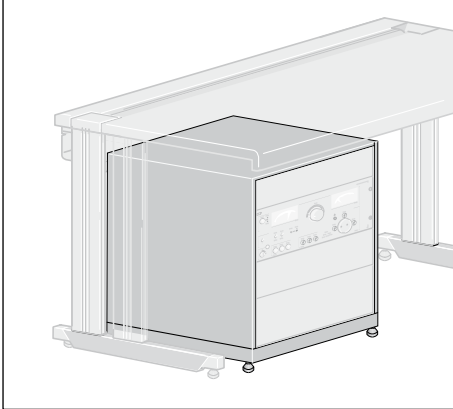
The side walls and the rear wall are made of 1.5 mm steel plate. The 19" side cabinets are covered with a 30 mm-thick tabletop with a postformed edge.

For 19" built-in components, see the Elabo Electronics Order Catalogue or the Elabo Device Catalogue TestSystems; system wiring on request.

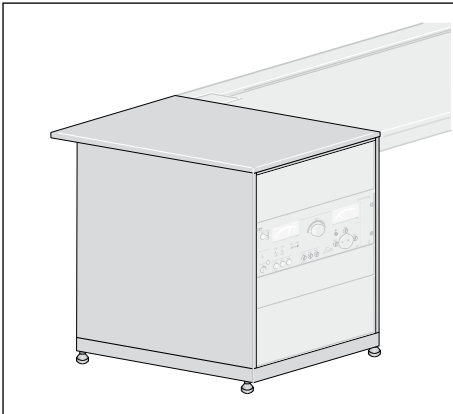
Keyboard pullouts and support rails are available for 19" base cabinets and cabinets.

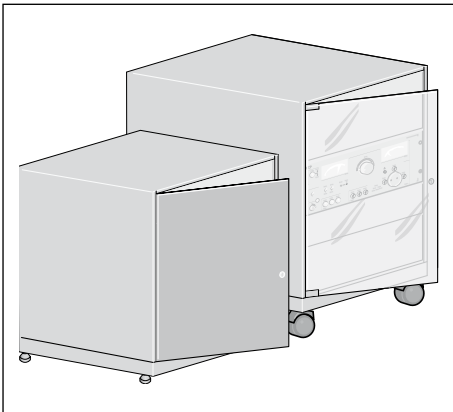
The 19" cabinets can be retrofitted to mobile units using the robust die-cast aluminium stand.



19"/ 12 HU		Technical data	Width	Depth	Height	Order no.
Base cabinet		Aluminium basic construction, side and rear walls made of steel plate, upper cover plate with 30 mm postformed edge. Colour: light grey Under 800/900 mm-deep tables Under 1000 mm-deep tables	553	600	670	73-1A
			553	800	670	73-2A

19"/ 12 HU		Technical data	Width	Depth	Height	Order no.
Side cabinet, mobile		as with 73-1A/2A, but with 4 swivel castors 75 mm in diameter, Cover plate with tabletop depth Next to 800 mm-deep tables Next to 900 mm-deep tables Next to 1000 mm-deep tables	553	600	750	73-1B
			553	600	750	73-1D
			553	800	750	73-2B

19"/ 14 HU		Technical data	Width	Depth	Height	Order no.
Side cabinet		as with 73-1A/2A, Cover plate With tabletop depth Next to 800 mm-deep tables Next to 900 mm-deep tables Next to 1000 mm-deep tables	553	600	750	73-1C
			553	600	750	73-1E
			553	800	750	73-2C

Doors 12/14 HU		Technical data	Width	Depth	Height	Order no.
Lockable		Steel plate door, 1.5 mm thick, powder coated in light grey For 12HU cabinet left For 12HU cabinet right For 14HU cabinet left For 14HU cabinet right  Smoked glass door For 12HU cabinet left For 12HU cabinet right For 14HU cabinet left For 14HU cabinet right	19"		12 HU	73-3A
			19"		12 HU	73-3B
			19"		14 HU	73-3C
			19"		14 HU	73-3D
			19"		12 HU	73-3L
			19"		12 HU	73-3M
			19"		14 HU	73-3N
		19"		14 HU	73-3P	

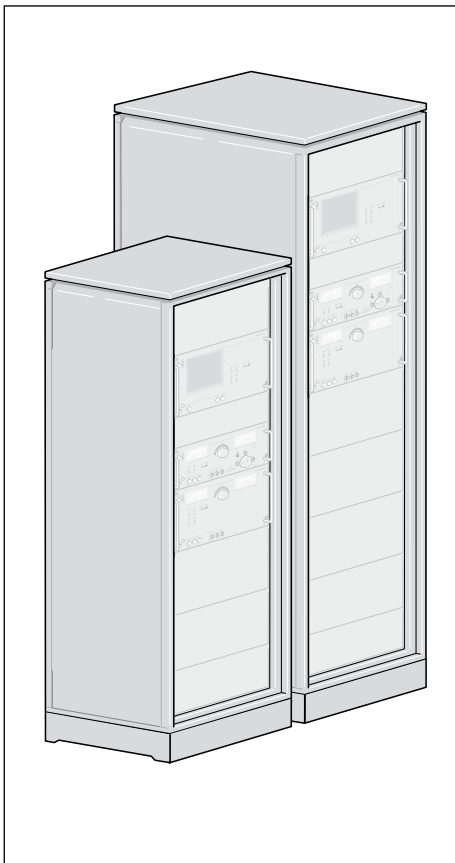
19" mini-rack 25 HU



Technical data	Width	Depth	Height	Order no.
Design as for 19" base cabinets, but upper housing finish made of steel plate. Colour: light grey.	553	x 600	x 1253	73-1F
	553	x 780	x 1253	73-2F
Steel door with lock				
For 19" mini-rack left	19"		25 HU	73-3E
For 19" mini-rack right	19"		25 HU	73-3F
Smoked glass door with lock				
For 19" rack left	19"		25 HU	73-3Q
For 19" rack right	19"		25 HU	73-3R

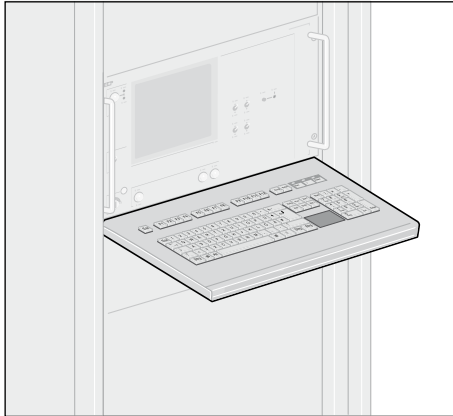
19" Euro rack

34 HU  
43 HU



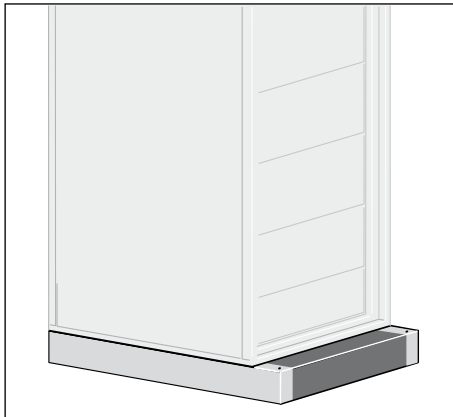
Technical data	Width	Depth	Height	Order no.	
Design as for 73-1F, but with reinforced aluminium basic construction for floor, lid and grid vertical profiles. Door in steel rear wall.					
	19" Euro rack 34 HU	600	x 600	x 1737	73-1G
		600	x 800	x 1737	73-2G
	19" Euro rack 43 HU	600	x 600	x 2137	73-1J
				73-2J	
Steel door with lock					
For 19" Euro rack left	19"		34 HU	73-3G	
For 19" Euro rack right	19"		34 HU	73-3H	
For 19" Euro rack left	19"		43 HU	73-3J	
For 19" Euro rack right	19"		43 HU	73-3K	
Smoked glass door with lock					
For 19" Euro rack left	19"		34 HU	73-3T	
For 19" Euro rack right	19"		34 HU	73-3U	
For 19" Euro rack left	19"		43 HU	73-3V	
For 19" Euro rack right	19"		43 HU	73-3W	

19" keyboard pullout



Technical data	Width	Depth	Height	Order no.
1 HU, with device handle, fits e.g. Cherry keyboards with touch pad.	19"	x 220	x1 HU	73-4A

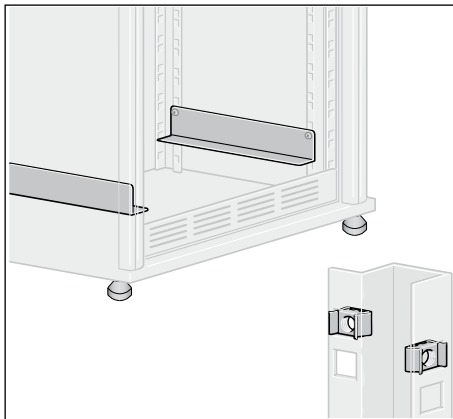
Plinth for 19" racks



Technical data	Width	Depth	Height	Order no.
Made of sturdy die-cast aluminium, mobile with stoppers, Fits with 19" Euro racks with a cabinet depth of 600 and 800 mm	600	x 890	x 117	73-4E
Fits with 19" mini racks For cabinet depth 600 mm	600	x 690	x 117	73-4E ZMR600
For cabinet depth 800 mm	600	x 890	x 117	73-4E ZMR800

Guide rails

Made of steel plate  
Yellow chromated



Technical data	Width	Depth	Height	Order no.
Fits with 19" base cabinets				
19" mini racks				
For cabinet depth 600 mm	36	x 468	x 50	73-4K
For cabinet depth 800 mm	36	x 647	x 50	73-4L
Fits with 19" Euro racks				
For cabinet depth 600 mm	36	x 417	x 50	73-4K Z01
For cabinet depth 800 mm	36	x 617	x 50	73-4L Z01
Cage nut M6 (1 piece) for 19" grid profile	14	x 9	x 13	73-4P

Dimensions in mm or units of height  
(1 HU = 44.45 mm)