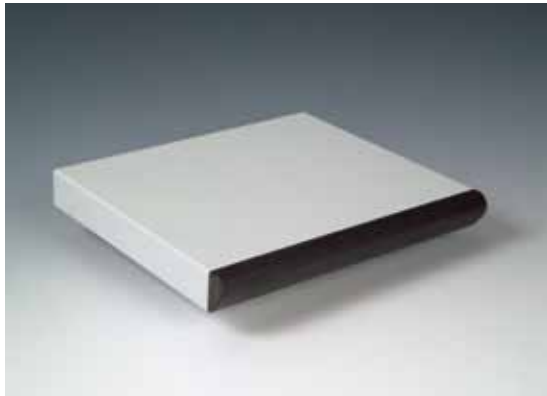


Tabletops and furniture surfaces



30 mm panel with replaceable edge,
Antistatic, light grey



30 mm panel with impact-resistant edge band
light grey



30 mm postformed edge, light grey



30 mm beech multiplex panel






Table superstructures,
base cabinets and handles



lightgrey RAL 7035 colour variant lg





Optional furniture surfaces: maple, beech


Table frame	Technical data	Width	Depth	Order no.
	<p>4 height-adjustable table legs made of 50 x 50 mm square steel pipe, adjustment range 740 - 800 mm, preset to 780 mm (each inc. tabletop) Table legs can be dismantled Welded steel pipe frame made of 40 x 25 mm and rectangular steel pipe 40x40 3rd transverse frame for mounting suspended base cabinets</p> <p>Area load 150 kg</p> <p>Auxiliary option ESD, see page L127 </p>	1990 x 950	E1-1A	
		1790 x 950	E1-1B	
		1590 x 950	E1-1C	
		1490 x 950	E1-1D	
		1190 x 950	E1-1E	
		1990 x 850	E1-1G	
		1790 x 850	E1-1H	
		1590 x 850	E1-1J	
		1490 x 850	E1-1K	
		1190 x 850	E1-1L	
		1990 x 750	E1-1N	
		1790 x 750	E1-1P	
		1590 x 750	E1-1Q	
		1490 x 750	E1-1R	
1190 x 750	E1-1S			
<p>Reinforced design</p> 	<p>With additional H-strut made of 30 mm rectangular steel pipe</p> <p>Area load 200 kg</p> <p>Auxiliary option ESD, see page L127 </p>	1990 x 950	E1-2A	
		1790 x 950	E1-2B	
		1590 x 950	E1-2C	
		1490 x 950	E1-2D	
		1190 x 950	E1-2E	
		1990 x 850	E1-2G	
		1790 x 850	E1-2H	
		1590 x 850	E1-2J	
		1490 x 850	E1-2K	
		1190 x 850	E1-2L	
		1990 x 750	E1-2N	
		1790 x 750	E1-2P	
		1590 x 750	E1-2Q	
		1490 x 750	E1-2R	
1190 x 750	E1-2S			
<p>Mobile</p> 	<p>With additional H-strut, rectangular steel pipe and conductive swivel castors with a diameter of 125 mm; two of these are lockable. The mobile table frame is not height-adjustable.</p> <p>Area load 200 kg</p>	1990 x 950	E1-3A	
		1790 x 950	E1-3B	
		1590 x 950	E1-3C	
		1490 x 950	E1-3D	
		1190 x 950	E1-3E	
		1990 x 850	E1-3G	
		1790 x 850	E1-3H	
		1590 x 850	E1-3J	
		1490 x 850	E1-3K	
		1190 x 850	E1-3L	
		1990 x 750	E1-3N	
		1790 x 750	E1-3P	
		1590 x 750	E1-3Q	
		1490 x 750	E1-3R	
1190 x 750	E1-3S			

Dimensions in mm

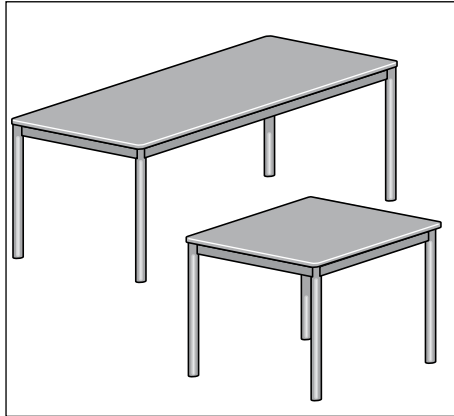


Tabletop		Technical data	Width Depth	Standard	ESD
Laminate 30 mm thick		Robust worktop with removable front edge	2000 x 1000	E2-1A	E2-5A
			1800 x 1000	E2-1B	E2-5B
Replaceable edge at front		Chipboard with 0.8 mm thick, extremely hard and abrasion-resistant plastic coating, surface slightly structured and anti-glare, temporarily heat-resistant up to 180°C, resistant against organic solvents, mild acids and lyes as well as petrol and oil.	1600 x 1000	E2-1C	E2-5C
			1500 x 1000	E2-1D	E2-5D
			1200 x 1000	E2-1E	E2-5E
		Impact-resistant plastic edge band on 3 sides. Front side has ergonomically-shaped, replaceable black table edge.	2000 x 900	E2-1G	E2-5G
			1800 x 900	E2-1H	E2-5H
			1600 x 900	E2-1J	E2-5J
			1500 x 900	E2-1K	E2-5K
			1200 x 900	E2-1L	E2-5L
			2000 x 800	E2-1N	E2-5N
			1800 x 800	E2-1P	E2-5P
			1600 x 800	E2-1Q	E2-5Q
			1500 x 800	E2-1R	E2-5R
			1200 x 800	E2-1S	E2-5S

Tabletop		Technical data	Width Depth	Standard	ESD
Laminate 30 mm thick		Robust worktop able to cope with high demands	2000 x 1000	E2-2A	E2-6A
			1800 x 1000	E2-2B	E2-6B
		Chipboard with 0.8 mm thick, extremely hard and abrasion-resistant plastic coating, surface slightly structured and anti-glare, temporarily heat-resistant up to 180°C, resistant against organic solvents, mild acids and lyes as well as petrol and oil.	1600 x 1000	E2-2C	E2-6C
			1500 x 1000	E2-2D	E2-6D
			1200 x 1000	E2-2E	E2-6E
			2000 x 900	E2-2G	E2-6G
			1800 x 900	E2-2H	E2-6H
			1600 x 900	E2-2J	E2-6J
		Impact-resistant plastic edge band all round.	1500 x 900	E2-2K	E2-6K
			1200 x 900	E2-2L	E2-6L
			2000 x 800	E2-2N	E2-6N
			1800 x 800	E2-2P	E2-6P
			1600 x 800	E2-2Q	E2-6Q
			1500 x 800	E2-2R	E2-6R
		Colour: light grey	1200 x 800	E2-2S	E2-6S

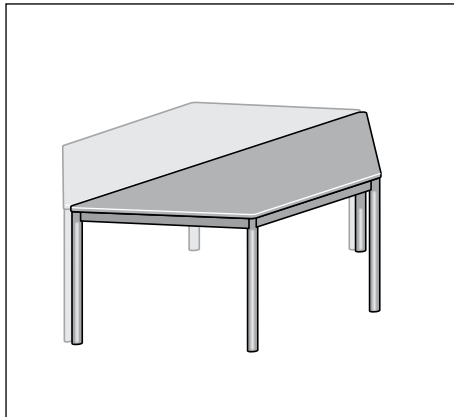
Tabletop		Technical data	Width Depth	Standard	ESD
Laminate 30 mm thick		as above, but: Ergonomic front postformed edge, all other edges have impact-resistant plastic edge band	2000 x 1000	E2-3A	E2-7A
			1800 x 1000	E2-3B	E2-7B
Postformed edge at front			1600 x 1000	E2-3C	E2-7C
			1500 x 1000	E2-3D	E2-7D
			1200 x 1000	E2-3E	E2-7E
			2000 x 900	E2-3G	E2-7G
			1800 x 900	E2-3H	E2-7H
			1600 x 900	E2-3J	E2-7J
			1500 x 900	E2-3K	E2-7K
			1200 x 900	E2-3L	E2-7L
			2000 x 800	E2-3N	E2-7N
			1800 x 800	E2-3P	E2-7P
			1600 x 800	E2-3Q	E2-7Q
			1500 x 800	E2-3R	E2-7R
			1200 x 800	E2-3S	E2-7S

Conference table



Technical data	Width	Depth	Height	Order no.
Rectangular	1600 x	800 x	720	08-1A
	1200 x	800 x	720	08-1B
Square	800 x	800 x	720	08-1C

Conference table



Technical data	Width	Depth	Height	Order no.
Trapezoidal	1600 x (800)	800 x	720	08-1D
Colour: light grey				
	Dimensions in mm			

Placement variants

