



Tabletop		Technical data	Width Depth	Standard.	ESD
Beech multiplex 30 mm thick		<p>Strong worktop panel</p> <p>made of multi-layer plywood: 14 hardwood layers, glued crosswise, water resistant acc. DIN.</p> <p>Colour: natural beech</p>	2000 x 1000	E2-4A	
			1800 x 1000	E2-4B	
			1600 x 1000	E2-4C	
			1500 x 1000	E2-4D	
			1200 x 1000	E2-4E	
			2000 x 900	E2-4G	
			1800 x 900	E2-4H	
			1600 x 900	E2-4J	
			1500 x 900	E2-4K	
			1200 x 900	E2-4L	
			2000 x 800	E2-4N	
			1800 x 800	E2-4P	
			1600 x 800	E2-4Q	
			1500 x 800	E2-4R	
			1200 x 800	E2-4S	

Stabilising strut		Technical data	For table	Width Depth	ESD
		<p>Stabilisation strut made of 30 mm square steel pipe for reinforcement of the table legs under increased load</p>	2000 x 1000	1930 x 850	E4-1A
			1800 x 1000	1730 x 850	E4-1B
			1600 x 1000	1530 x 850	E4-1C
			1500 x 1000	1430 x 850	E4-1D
			1200 x 1000	1130 x 850	E4-1E
					E4-1G
			2000 x 900	1930x 750	E4-1H
			1800 x 900	1730x 750	E4-1J
			1600 x 900	1530x 750	E4-1K
			1500 x 900	1430x 750	E4-1L
			1200 x 900	1130x 750	E4-1N
					E4-1P
			2000 x 800	1930x 650	E4-1Q
			1800 x 800	1730x 650	E4-1R
			1600 x 800	1530x 650	E4-1S
			1500 x 800	1430x 650	
			1200 x 800	1130x 650	

ESD utilisation springs		Technical data	Width Depth	Standard.	ESD
For EcoTec ^{SP} tables		<p>ESD utilisation springs (1 pair)</p> <p>The two utilisation springs enable a conductive connection between the table legs or between the table frame of the EcoTec^{SP} tables and the floor.</p> <p>Installation is accomplished 1x in the left front table leg and 1x in the right rear table leg.</p>			E1-4X

Intermediate panel		Technical data	Width Depth	Standard.	ESD
Laminate 30 mm thick		<p>Robust intermediate panel for high demands</p>	1950 x 450	E4-2A	E4-5A
			1750 x 450	E4-2B	E4-5B
			1550 x 450	E4-2C	E4-5C
			1450 x 450	E4-2D	E4-5D
			1150 x 450	E4-2E	E4-5E
			1950 x 350	E4-2G	E4-5G
			1750 x 350	E4-2H	E4-5H
			1550 x 350	E4-2J	E4-5J
			1450 x 350	E4-2K	E4-5K
			1150 x 350	E4-2L	E4-5L



Corner panel 90°		Technical data	Width Depth	Standard	ESD
Square		Inc. supporting foot			
		Laminate 30 mm thick Replaceable front edge	1040 x 1040 940 x 940 840 x 840	E3-1A E3-1B E3-1C	E3-5A E3-5B E3-5C
		Laminate 30 mm thick	1000 x 1000 900 x 900 800 x 800	E3-2A E3-2B E3-2C	E3-6A E3-6B E3-6C
Outer side length		Laminate 30 mm thick Postformed edge at front	1040 x 1040 940 x 940 840 x 840	E3-3A E3-3B E3-3C	E3-7A E3-7B E3-7C
Laminate 30 mm thick + 0 mm		Beech multiplex	1000 x 1000 900 x 900 800 x 800	E3-4A E3-4B E3-4C	
Replaceable front edge and postformed edge + 40 mm					

Corner panel 90°		Technical data	Width Depth	Standard	ESD
Rectangular		Inc. supporting foot			
		Laminate 30 mm thick Replaceable front edge	940 x 1040 840 x 1040 840 x 940	E3-1D E3-1E E3-1F	E3-5D E3-5E E3-5F
		Laminate 30 mm thick	900 x 1000 800 x 1000 800 x 900	E3-2D E3-2E E3-2F	E3-6D E3-6E E3-6F
Outer side length		Laminate 30 mm thick Postformed edge at front	940 x 1040 840 x 1040 840 x 940	E3-3D E3-3E E3-3F	E3-7D E3-7E E3-7F
Laminate 30 mm thick + 0 mm		Beech multiplex	900 x 1000 800 x 1000 800 x 900	E3-4D E3-4E E3-4F	
Replaceable front edge and postformed edge + 40 mm					

Corner panel 90°		Technical data	Width Depth	Standard	ESD
Rectangular		Inc. supporting foot			
		Laminate 30 mm thick Replaceable front edge	1040 x 940 1040 x 840 940 x 840	E3-1G E3-1H E3-1J	E3-5G E3-5H E3-5J
		Laminate 30 mm thick	1000 x 900 1000 x 800 900 x 800	E3-2G E3-2H E3-2J	E3-6G E3-6H E3-6J
Outer side length		Laminate 30 mm thick Postformed edge at front	1040 x 940 1040 x 840 940 x 840	E3-3G E3-3H E3-3J	E3-7G E3-7H E3-7J
Laminate 30 mm thick + 0 mm		Beech multiplex	1000 x 900 1000 x 800 900 x 800	E3-4G E3-4H E3-4J	
Replaceable front edge and postformed edge + 40 mm					

Dimensions in mm


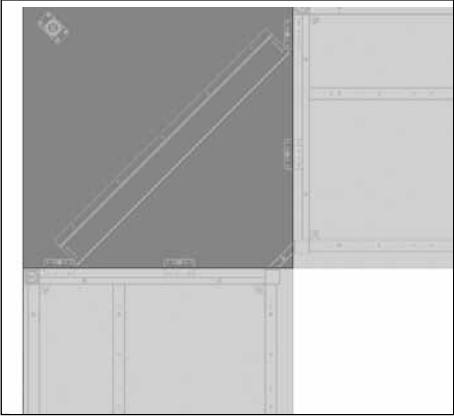
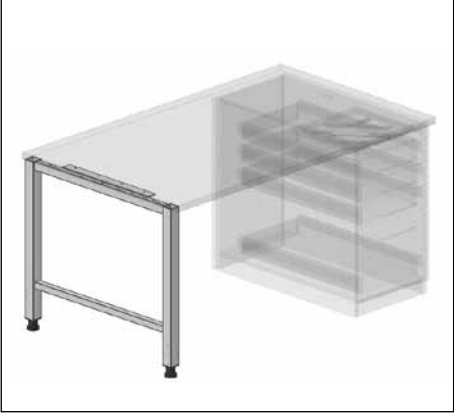



CAD corner panel 90°		Technical data	Width Depth	Standard	ESD
Square		Inc. supporting foot, leg at front	600		
		Laminate 30 mm thick Replaceable front edge	1000 x 1000 900 x 900 800 x 800	E3-1N E3-1P E3-1Q	E3-5N E3-5P E3-5Q
		Laminate 30 mm thick	1000 x 1000 900 x 900 800 x 800	E3-2N E3-2P E3-2Q	E3-6N E3-6P E3-6Q
		Laminate 30 mm thick Postformed edge at front	1000 x 1000 900 x 900 800 x 800	E3-3N E3-3P E3-3Q	E3-7N E3-7P E3-7Q
Outer side length + 425 mm					

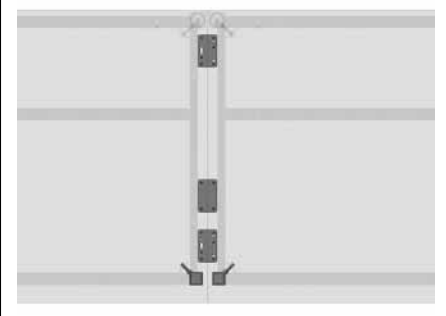

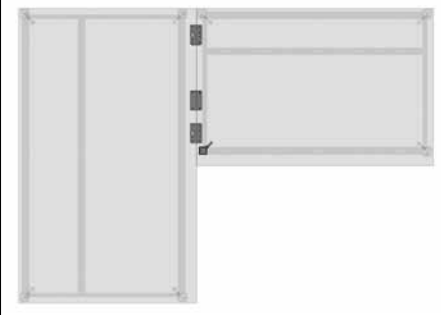

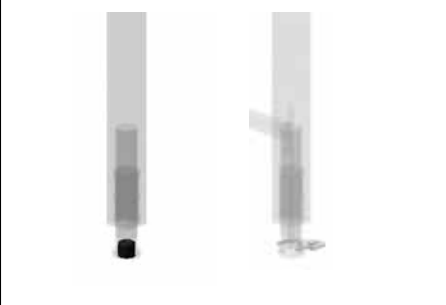


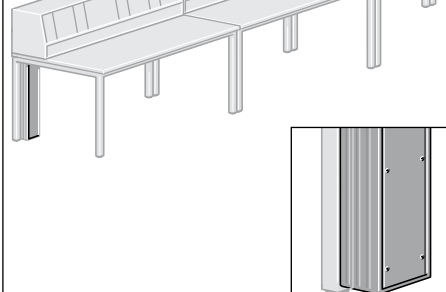
CAD corner panel 90°		Technical data	Width Depth	Standard	ESD
Rectangular		Inc. supporting foot, leg at front	600		
		Laminate 30 mm thick Replaceable front edge	900 x 1000 800 x 1000 800 x 900	E3-1R E3-1S E3-1T	E3-5R E3-5S E3-5T
		Laminate 30 mm thick	900 x 1000 800 x 1000 800 x 900	E3-2R E3-2S E3-2T	E3-6R E3-6S E3-6T
		Laminate 30 mm thick Postformed edge at front	900 x 1000 800 x 1000 800 x 900	E3-3R E3-3S E3-3T	E3-7R E3-7S E3-7T
Outer side length + 425 mm					

CAD corner panel 90°		Technical data	Width Depth	Standard	ESD
Rectangular		Inc. supporting foot, leg at front	600		
		Laminate 30 mm thick Replaceable front edge	1000 x 900 1000 x 800 900 x 800	E3-1U E3-1V E3-1W	E3-5U E3-5V E3-5W
		Laminate 30 mm thick	1000 x 900 1000 x 800 900 x 800	E3-2U E3-2V E3-2W	E3-6U E3-6V E3-6W
		Laminate 30 mm thick Postformed edge at front	1000 x 900 1000 x 800 900 x 800	E3-3U E3-3V E3-3W	E3-7U E3-7V E3-7W
Outer side length + 425 mm					

Dimensions in mm

Cable tray		<p>Technical data</p> <p>Made of steel plate, for installation underneath the tabletop Effective depth 82 mm, Effective height 75 mm Inc. 2 strain relief devices on the outside left and right-hand side</p> <p>For table width 2000 For table width 1800 For table width 1600 For table width 1500 For table width 1200</p>	<table border="1"> <thead> <tr> <th>Width</th> <th>Depth</th> <th>Height</th> <th>Order no.</th> </tr> </thead> <tbody> <tr> <td>1880 x</td> <td>85 x</td> <td>110</td> <td>E4-8A</td> </tr> <tr> <td>1680 x</td> <td>85 x</td> <td>110</td> <td>E4-8B</td> </tr> <tr> <td>1480 x</td> <td>85 x</td> <td>110</td> <td>E4-8C</td> </tr> <tr> <td>1380 x</td> <td>85 x</td> <td>110</td> <td>E4-8D</td> </tr> <tr> <td>1080 x</td> <td>85 x</td> <td>110</td> <td>E4-8E</td> </tr> </tbody> </table>	Width	Depth	Height	Order no.	1880 x	85 x	110	E4-8A	1680 x	85 x	110	E4-8B	1480 x	85 x	110	E4-8C	1380 x	85 x	110	E4-8D	1080 x	85 x	110	E4-8E				
Width	Depth	Height	Order no.																												
1880 x	85 x	110	E4-8A																												
1680 x	85 x	110	E4-8B																												
1480 x	85 x	110	E4-8C																												
1380 x	85 x	110	E4-8D																												
1080 x	85 x	110	E4-8E																												
Corner cable tray		<p>Technical data</p> <p>Made of steel plate, for mounting diagonally under the corner plate, further data as above</p> <p>For corner panel 1000x1000 For corner panel 900x900 For corner panel 800x800</p> <p>For CAD corner panel 1000x1000 For CAD corner panel 900x900 For CAD corner panel 800x800</p>	<table border="1"> <thead> <tr> <th>Width</th> <th>Depth</th> <th>Height</th> <th>Order no.</th> </tr> </thead> <tbody> <tr> <td>1140 x</td> <td>85 x</td> <td>110</td> <td>E4-8F</td> </tr> <tr> <td>1000 x</td> <td>85 x</td> <td>110</td> <td>E4-8H</td> </tr> <tr> <td>860 x</td> <td>85 x</td> <td>110</td> <td>E4-8J</td> </tr> <tr> <td>1740 x</td> <td>85 x</td> <td>110</td> <td>E4-8K</td> </tr> <tr> <td>1600 x</td> <td>85 x</td> <td>110</td> <td>E4-8L</td> </tr> <tr> <td>1460 x</td> <td>85 x</td> <td>110</td> <td>E4-8N</td> </tr> </tbody> </table>	Width	Depth	Height	Order no.	1140 x	85 x	110	E4-8F	1000 x	85 x	110	E4-8H	860 x	85 x	110	E4-8J	1740 x	85 x	110	E4-8K	1600 x	85 x	110	E4-8L	1460 x	85 x	110	E4-8N
Width	Depth	Height	Order no.																												
1140 x	85 x	110	E4-8F																												
1000 x	85 x	110	E4-8H																												
860 x	85 x	110	E4-8J																												
1740 x	85 x	110	E4-8K																												
1600 x	85 x	110	E4-8L																												
1460 x	85 x	110	E4-8N																												
Tabletop support		<p>Technical data</p> <p>For one-sided support of the tabletop with floor cabinet. Design as for table frame</p> <p>For tabletop depth 1000 For tabletop depth 900 For tabletop depth 800</p>	<table border="1"> <thead> <tr> <th>Width</th> <th>Depth</th> <th>Height</th> <th>Order no.</th> </tr> </thead> <tbody> <tr> <td></td> <td>950</td> <td></td> <td>E4-8R</td> </tr> <tr> <td></td> <td>850</td> <td></td> <td>E4-8S</td> </tr> <tr> <td></td> <td>750</td> <td></td> <td>E4-8T</td> </tr> </tbody> </table>	Width	Depth	Height	Order no.		950		E4-8R		850		E4-8S		750		E4-8T												
Width	Depth	Height	Order no.																												
	950		E4-8R																												
	850		E4-8S																												
	750		E4-8T																												
PC bracket		<p>Technical data</p> <p>For mounting under the tabletop with flange plate. Locking via 4 star knob screws</p> <p>Adjusting range:</p> <p>Horizontal: B = 350 ... 460; H = 180 ... 280</p> <p>Vertical: B = 130 ... 240; H = 390 ... 510</p>	<table border="1"> <thead> <tr> <th>Width</th> <th>Depth</th> <th>Height</th> <th>Order no.</th> </tr> </thead> <tbody> <tr> <td>130...240 x</td> <td>250 x</td> <td>390...510</td> <td>A9-2A</td> </tr> </tbody> </table> <p>Dimensions in mm</p>	Width	Depth	Height	Order no.	130...240 x	250 x	390...510	A9-2A																				
Width	Depth	Height	Order no.																												
130...240 x	250 x	390...510	A9-2A																												

Suitable fittings are available for a row or corner connection of EcoTec^{SP} tables without legs. The standard series EcoTec^{SP} table frames are already pre-equipped for this function, meaning that later conversions are easily possible.

Connector for row of tables		<p>Technical data</p> <p>For row combinations of EcoTec^{SP} tables, front leg recessed</p> <p>Auxiliary option ESD, see page L127</p> 	<p>Additional fittings</p> <p>1 supporting foot with flange plate H = 710-770 mm 2 connecting links 2 corner end pieces</p>	<p>Order no.</p> <p>E4-9A</p>									
Connector for corner tables		<p>Technical data</p> <p>for corner combinations of 2 EcoTec^{SP} tables, Corner connection without legs</p> <p>Auxiliary option ESD, see page L127</p> 	<p>Additional fittings</p> <p>1 supporting foot with flange plate H = 710-770 mm 2 connecting links 1 corner end piece</p>	<p>Order no.</p> <p>E4-9E</p>									
Table leg fixture		<p>Technical data</p> <p>For engaging the table to the floor, plastic sleeve for screwing to the floor, the EcoTec^{SP} table leg can then be readily attached afterwards</p> <p>Alternative: Z-bracket (2 pieces), colour: black</p>		<p>Order no.</p> <p>E4-9G</p> <p>E4-9G ZX01</p>									
Supporting foot		<p>Technical data</p> <p>EcoTec^{SP} table leg with flange plate for additional table reinforcement for heavy loads, Adjusting range 710 - 770 mm, preset to 750 mm</p> <p>Auxiliary option ESD, see page L127</p> 	<table border="1"> <thead> <tr> <th>Width</th> <th>Depth</th> <th>Height</th> </tr> </thead> <tbody> <tr> <td>120 x</td> <td>120 x</td> <td>750</td> </tr> </tbody> </table>	Width	Depth	Height	120 x	120 x	750	<p>Order no.</p> <p>E4-9K</p>			
Width	Depth	Height											
120 x	120 x	750											
Cable duct		<p>Technical data</p> <p>Powder coated aluminium cable duct for securing to the floor and to the underside of the table.</p> <p>Plastic cable duct for line routing</p>	<table border="1"> <thead> <tr> <th>Width</th> <th>Depth</th> <th>Height</th> </tr> </thead> <tbody> <tr> <td>115 x</td> <td>120 x</td> <td>750</td> </tr> <tr> <td>42 x</td> <td>45 x</td> <td>2000</td> </tr> </tbody> </table> <p>Dimensions in mm</p>	Width	Depth	Height	115 x	120 x	750	42 x	45 x	2000	<p>Order no.</p> <p>01-8S</p> <p>01-8R</p>
Width	Depth	Height											
115 x	120 x	750											
42 x	45 x	2000											



Drawers

The drawers consist of black coated steel plate with a grid with rows of holes for a continuous arrangement system, hidden metal ball bearing guide with 70 % pullout. Base cabinets in which all drawers are fitted with full telescopic pullouts are also available as an option.

Central locking

Locking system-capable central locking system, can be combined with all cabinet systems (except for steel plate cabinets)

Accessories

Every base cabinet with drawers is equipped in the standard series with a formed compartment made of plastic. This lies against the side of the steel drawers and can therefore be pushed downwards. In this way, small parts can be stored in a space-saving, orderly manner. And you have them quickly to hand when you need them.

3 Designs

Elabo table base cabinets can be supplied either as suspended base cabinets or as floor cabinets. Using the castor set, the suspended base cabinets can be retrofitted to make roller containers.

Material

The cabinet unit and front panels are made of a 19 mm-thick multiple-layer plywood and the surface is directly coated. All edges are covered with a 2 mm-thick plastic edge.





Internal drawer dimensions

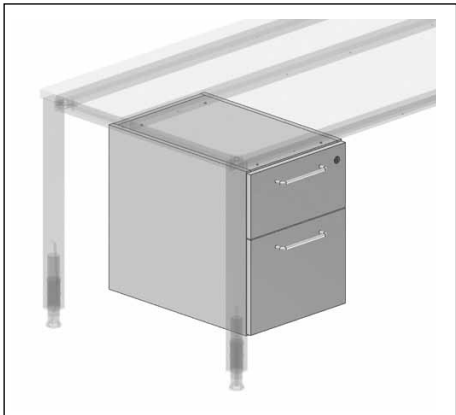

Unit of height = 2 HU	Effective height	90 mm
Unit of height = 3 HU	Effective height	140 mm
Unit of height = 4 HU	Effective height	190 mm
Unit of height = 6 HU	Effective height	290 mm



Drawer width, standardised 327 mm
 Drawer depth (with a unit depth of 600 mm) 490 mm
 Drawer depth (with a unit depth of 850 mm) 690 mm



Drawer load capacity

Partial pullout 250 N

Base cabinet		Technical data	Width	Depth	Height	Order no.
		1 drawer 3 HU 1 formed compartment 1 lock	420 x	620x	175	E5-1A
		ESD design 	420 x	620x	175	E5-4A

Base cabinet		Technical data	Width	Depth	Height	Order no.
		1 drawer 4 HU 1 drawer 6 HU 1 formed compartment 1 lock	420 x	620x	540	E5-1C
		ESD design 	420 x	620x	540	E5-4C

Base cabinet		Technical data	Width	Depth	Height	Order no.
		1 drawer 3 HU 1 drawer 3 HU 1 drawer 4 HU 1 formed compartment 1 lock	420 x	620x	540	E5-1E
		ESD design 	420 x	620x	540	E5-4E

Base cabinet		Technical data	Width	Depth	Height	Order no.
		1 drawer 3 HU 1 drawer 2 HU 1 drawer 2 HU 1 drawer 3 HU 1 formed compartment 1 lock	420 x	620 x	540	E5-1F
		ESD design 	420 x	620 x	540	E5-4F

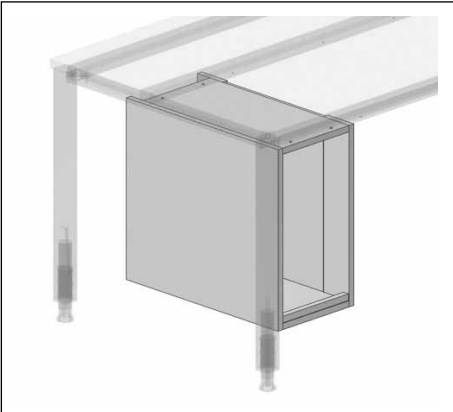
Dimensions in mm

Suspended base cabinets can easily be retrofitted to form mobile roller containers by using the castor set. The double swivel castors have a diameter of 50 mm; two of the castors are lockable. The drawer pullouts are fitted with mutual door locking.

Base cabinet		Technical data	Width	Depth	Height	Order no.
		1 folding door, right 1 adjustable shelf 1 lock	420 x	620 x	540	E5-1J
		ESD design 	420 x	620 x	540	E5-4J
Base cabinet		Technical data	Width	Depth	Height	Order no.
		1 folding door, left 1 adjustable shelf 1 lock	420 x	620 x	540	E5-1K
		ESD design 	420 x	620 x	540	E5-4K
Roller set		Technical data	Width	Depth	Height	Order no.
		4 swivel castors, 50 mm in diameter, two of these lockable 1 cover plate 25 mm	425 x	635 x	25	E5-1P
		ESD design 	425 x	635 x	25	E5-4P
Formed compartment		Technical data	Width	Depth	Height	Order no.
		1 formed compartment to place on a a steel drawer Colour: black	325 x	200 x	40	E5-1X
			Dimensions in mm			

PC base cabinets are available for safe storage of PCs which can also be supplied with lockable front doors. The side door available in the standard series means that PCs always remain accessible for installation.

PC base cabinet		Technical data	Width	Depth	Height	Order no.
		Left side wall with lockable door for access to the PC plug connectors. The rear wall has a ventilation grille. Clearance height inside 500 mm.	300	x 600	x 540	E5-1R
		ESD design				
			300	x 600	x 540	E5-4R

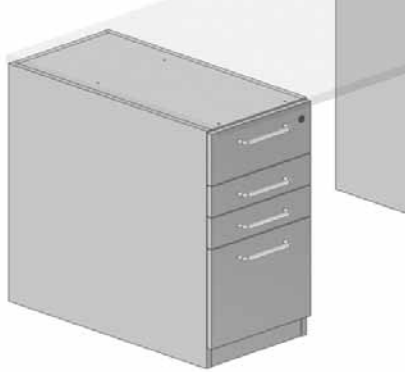



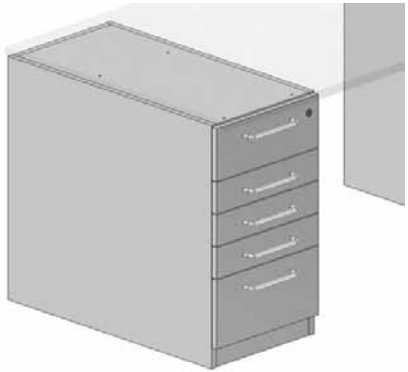



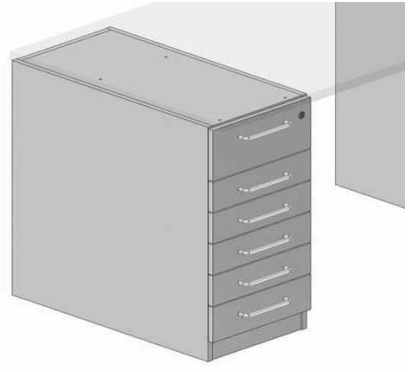



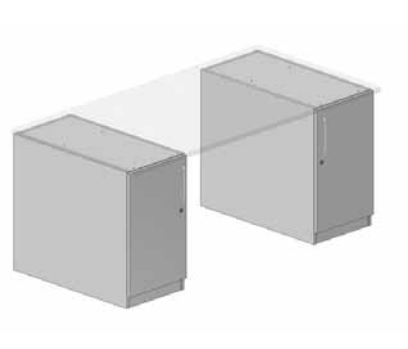






PC base cabinet		Technical data	Width	Depth	Height	Order no.
		Right side wall with lockable door for access to the PC plug connectors. The rear wall has a ventilation grille. Clearance height inside 500 mm.	300	x 600	x 540	E5-1S
		ESD design				
			300	x 600	x 540	E5-4S

PC base cabinet		Technical data	Width	Depth	Height	Order no.
		Right-hand front door and left-hand side wall with doors for access to the PC plug connectors. Both doors are lockable. The rear wall has a ventilation grille. Clearance height inside 500 mm.	300	x 600	x 540	E5-1R X01
With front door Lockable		ESD design				
			300	x 600	x 540	E5-4R X01

PC base cabinet		Technical data	Width	Depth	Height	Order no.
		Left-hand front door and right side wall fitted with doors for access to PC plug connectors. Both doors are lockable. The rear wall has a ventilation grille. Clearance height inside 500 mm.	300	x 600	x 540	E5-1S X01
With front door Lockable		ESD design				
			300	x 600	x 540	E5-4S X01

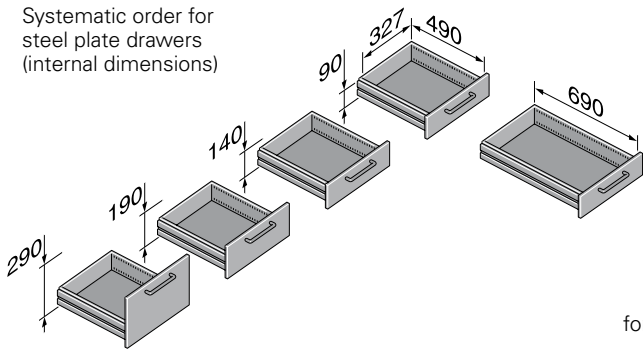
Dimensions in mm

The floor cabinets have a unit depth of 850 mm; the steel plate drawers have an effective depth of 690 mm. They can be used to build compact function units together with individual tabletops from the EcoTec^{SP} range.

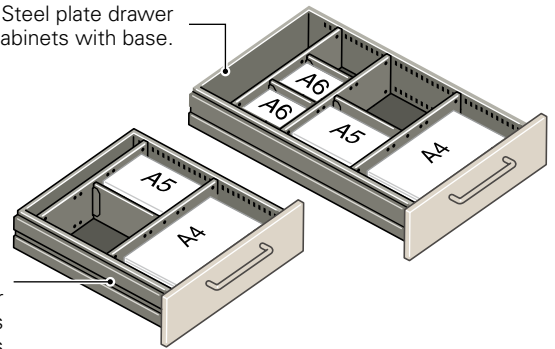
Base cabinet with base		<table border="1"> <thead> <tr> <th>Technical data</th> <th>Width</th> <th>Depth</th> <th>Height</th> <th>Order no.</th> </tr> </thead> <tbody> <tr> <td>1 drawer 3 HU 1 drawer 2 HU 1 drawer 2 HU 1 drawer 6 HU 1 formed compartment 1 lock</td> <td>420 x</td> <td>850 x</td> <td>750</td> <td>E5-5F</td> </tr> <tr> <td>ESD design </td> <td>420 x</td> <td>850 x</td> <td>750</td> <td>E5-9F</td> </tr> </tbody> </table>	Technical data	Width	Depth	Height	Order no.	1 drawer 3 HU 1 drawer 2 HU 1 drawer 2 HU 1 drawer 6 HU 1 formed compartment 1 lock	420 x	850 x	750	E5-5F	ESD design 	420 x	850 x	750	E5-9F										
Technical data	Width	Depth	Height	Order no.																							
1 drawer 3 HU 1 drawer 2 HU 1 drawer 2 HU 1 drawer 6 HU 1 formed compartment 1 lock	420 x	850 x	750	E5-5F																							
ESD design 	420 x	850 x	750	E5-9F																							
Base cabinet with base		<table border="1"> <thead> <tr> <th>Technical data</th> <th>Width</th> <th>Depth</th> <th>Height</th> <th>Order no.</th> </tr> </thead> <tbody> <tr> <td>1 drawer 3 HU 1 drawer 2 HU 1 drawer 2 HU 1 drawer 2 HU 1 drawer 4 HU 1 formed compartment 1 lock</td> <td>420 x</td> <td>850 x</td> <td>750</td> <td>E5-5G</td> </tr> <tr> <td>ESD design </td> <td>420 x</td> <td>850 x</td> <td>750</td> <td>E5-9G</td> </tr> </tbody> </table>	Technical data	Width	Depth	Height	Order no.	1 drawer 3 HU 1 drawer 2 HU 1 drawer 2 HU 1 drawer 2 HU 1 drawer 4 HU 1 formed compartment 1 lock	420 x	850 x	750	E5-5G	ESD design 	420 x	850 x	750	E5-9G										
Technical data	Width	Depth	Height	Order no.																							
1 drawer 3 HU 1 drawer 2 HU 1 drawer 2 HU 1 drawer 2 HU 1 drawer 4 HU 1 formed compartment 1 lock	420 x	850 x	750	E5-5G																							
ESD design 	420 x	850 x	750	E5-9G																							
Base cabinet with base		<table border="1"> <thead> <tr> <th>Technical data</th> <th>Width</th> <th>Depth</th> <th>Height</th> <th>Order no.</th> </tr> </thead> <tbody> <tr> <td>1 drawer 3 HU 1 drawer 2 HU 1 drawer 2 HU 1 drawer 2 HU 1 drawer 2 HU 1 drawer 2 HU 1 formed compartment 1 lock</td> <td>420 x</td> <td>850 x</td> <td>750</td> <td>E5-5H</td> </tr> <tr> <td>ESD design </td> <td>420 x</td> <td>850 x</td> <td>750</td> <td>E5-9H</td> </tr> </tbody> </table>	Technical data	Width	Depth	Height	Order no.	1 drawer 3 HU 1 drawer 2 HU 1 drawer 2 HU 1 drawer 2 HU 1 drawer 2 HU 1 drawer 2 HU 1 formed compartment 1 lock	420 x	850 x	750	E5-5H	ESD design 	420 x	850 x	750	E5-9H										
Technical data	Width	Depth	Height	Order no.																							
1 drawer 3 HU 1 drawer 2 HU 1 drawer 2 HU 1 drawer 2 HU 1 drawer 2 HU 1 drawer 2 HU 1 formed compartment 1 lock	420 x	850 x	750	E5-5H																							
ESD design 	420 x	850 x	750	E5-9H																							
Base cabinet with base		<table border="1"> <thead> <tr> <th>Technical data</th> <th>Width</th> <th>Depth</th> <th>Height</th> <th>Order no.</th> </tr> </thead> <tbody> <tr> <td>1 folding door, right 1 adjustable shelf 1 lock</td> <td>420 x</td> <td>850 x</td> <td>750</td> <td>E5-5J</td> </tr> <tr> <td>ESD design </td> <td>420 x</td> <td>850 x</td> <td>750</td> <td>E5-9J</td> </tr> <tr> <td>1 folding door, left 1 adjustable shelf 1 lock</td> <td>420 x</td> <td>850 x</td> <td>750</td> <td>E5-5K</td> </tr> <tr> <td>ESD design </td> <td>420 x</td> <td>850 x</td> <td>750</td> <td>E5-9K</td> </tr> </tbody> </table> <p>Dimensions in mm</p>	Technical data	Width	Depth	Height	Order no.	1 folding door, right 1 adjustable shelf 1 lock	420 x	850 x	750	E5-5J	ESD design 	420 x	850 x	750	E5-9J	1 folding door, left 1 adjustable shelf 1 lock	420 x	850 x	750	E5-5K	ESD design 	420 x	850 x	750	E5-9K
Technical data	Width	Depth	Height	Order no.																							
1 folding door, right 1 adjustable shelf 1 lock	420 x	850 x	750	E5-5J																							
ESD design 	420 x	850 x	750	E5-9J																							
1 folding door, left 1 adjustable shelf 1 lock	420 x	850 x	750	E5-5K																							
ESD design 	420 x	850 x	750	E5-9K																							

There are various organisation aids available for division and user-friendly fitting of steel plate drawers. The drawer clearance width is a standardised 326 mm. At a unit depth of 600 mm, the drawer has an effective depth of 490 mm, at a unit depth of 850 mm, the drawer has an effective depth of 690 mm.

Systematic order for steel plate drawers (internal dimensions)

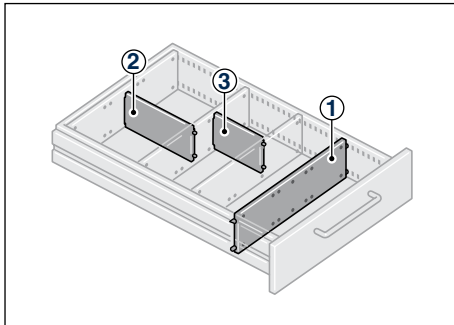


Steel plate drawer for base cabinets with base.



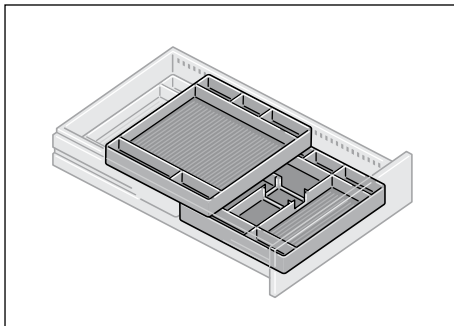
Steel plate drawer for suspended base cabinets and roller containers

Partition/compartiment divider



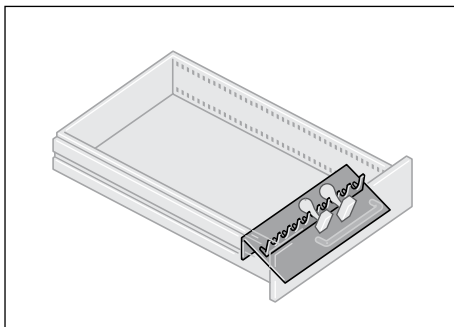
Technical data	Width	Depth	Height	Order no.
Partition, black metal, for transverse drawer division	326 x	10 x	76	07-7A
Compartment divider, black metal, for additional divisions in connection with partition	220 x	1 x	72	07-7D
DIN A5	150 x	1 x	72	07-7E
DIN A6				

Tray insert



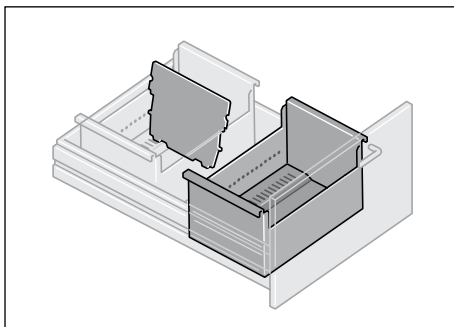
Technical data	Width	Depth	Height	Order no.
black plastic				
With 4 divisions	325 x	325 x	40	07-7M
With 9 divisions	325 x	325 x	40	07-7N

Stamp insert



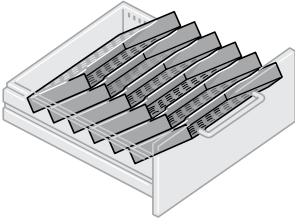
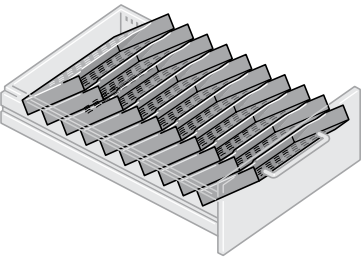
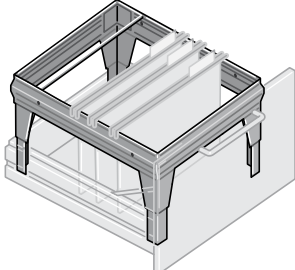
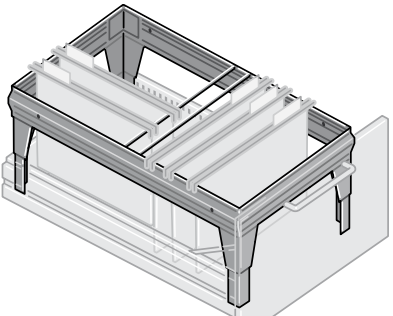
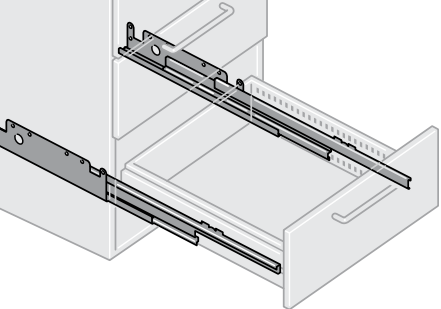
Technical data	Width	Depth	Height	Order no.
For 8 stamps and date stamps, black metal	325 x	105 x	35	07-7J

Card index box

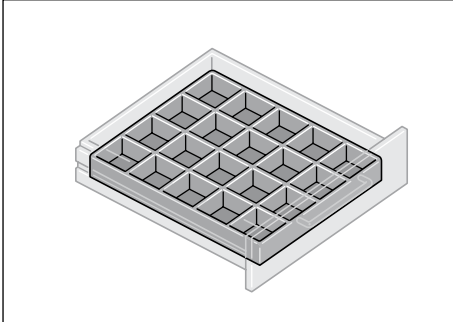
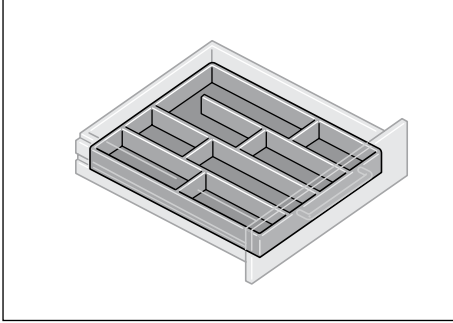
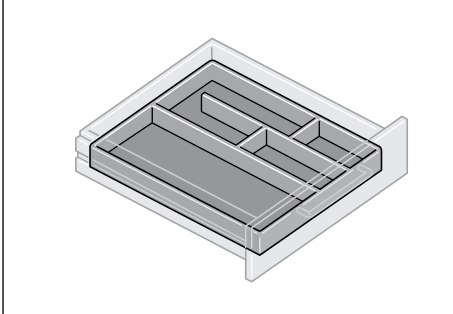


Technical data	Width	Depth	Height	Order no.
Card index box A5 across	229 x	324 x	155	07-7K
Black metal				
Swivel support, A5 across	226/211	x	147	07-7L
Black metal				

Dimensions in mm

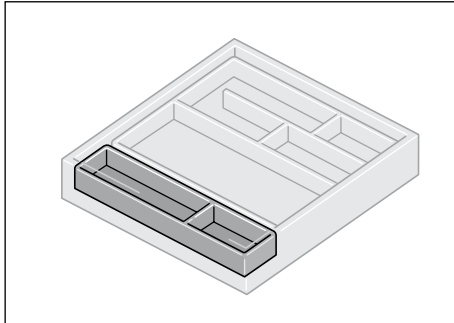
Form storage set		Technical data	Width Depth Height	Order no.
6x		For forms size DIN A4, black plastic, For drawers, depth 490 mm, required drawer height 4 HU	326 x 490 x 140	07-7P
Form storage set		Technical data	Width Depth Height	Order no.
11x		For forms size DIN A4, black plastic, For drawers, depth 690 mm, required drawer height 4 HU	326 x 690 x 160	07-7Q
Hanging filing system		Technical data	Width Depth Height	Order no.
		Insertable A4 hanging frame with 1 separator bar, black metal. For drawers with a depth of 490 mm, required cabinet height 6 HU	326 x 490 x 245	07-7S
Hanging filing system		Technical data	Width Depth Height	Order no.
		Insertable A4 hanging frame with 2 separator bars, black metal. For drawers with a depth of 690 mm, required cabinet height 6 HU	326 x 690 x 245	07-7T
Full telescopic pullout		Technical data	Width Depth Height	Order no.
		For drawers, depth 490 mm For drawers, depth 690 mm	Dimensions in mm	07-9A 07-9B

One-part, removable deep-drawing polystyrene moulded trays made of grey plastic. A filler tray is available for the drawer with an effective depth of 690 mm. The moulded trays can be used in the same way in the laboratory and office cabinet system drawers.

Moulded tray		Technical data Made of grey polystyrene with 20 compartments	Width Depth Height 326 x 470 x 35	Order no. 07-8A
Moulded tray		Technical data Made of grey polystyrene with 11 compartments	Width Depth Height 326 x 470 x 35	Order no. 07-8B
Moulded tray		Technical data Made of grey polystyrene with 9 compartments	Width Depth Height 326 x 470 x 35	Order no. 07-8C
Moulded tray		Technical data Made of grey polystyrene with 8 compartments	Width Depth Height 326 x 470 x 35	Order no. 07-8D
Moulded tray		Technical data Made of grey polystyrene with 5 compartments	Width Depth Height 326 x 470 x 35	Order no. 07-8E

Dimensions in mm

Filler tray

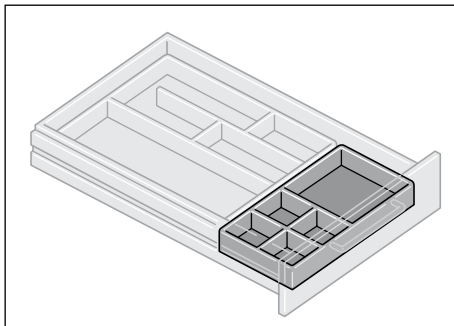


Technical data

Made of grey polystyrene with 2 compartments, only for tall cabinet wooden drawers, type 07-2E

Width	Depth	Height	Order no.
80 x	470 x	35	07-8F

Filler tray



Technical data

Made of grey polystyrene with 5 compartments, For steel plate drawers With effective depth 690 mm

Width	Depth	Height	Order no.
326 x	205 x	35	07-8G

Dimensions in mm



Three tool sets with foam inserts are available which are suitable for all Elabo base cabinets and roller containers. We would be happy to send you the respective datasheet.

